

# Operations Manual

**Tire Tool Assembly :** remove hub cops if applicable. Some cars do not have raps - lugs are exposed.

1. Select **Pt#1**(snap on socket) that fits the lug nuts and snap on to the back side of the the tire tool.
2. Select **Pt#2** (lug socket holder) and insert into tool slot from the back side.
3. Thread Pt#3 (screw knob) to Pt#2 that has been positioned into tool slot. (Do not tighten.)
4. Attach Pt#4 (snap on crank) to front side of tool.

NOTE : The tool is now assembled for use,

## Instructions for Lug Nuts Removal :

1. Align the lug removal socket (**Pts#1& 2**) with the lug nut to be removed and the lug nut selected to hold the tool stationary.
2. insert the Aligned sockets over the two lugs and tighten the screw knobs (Pt#3) to hold in place.
3. Hold the tool in place and turn handle 90 degrees to prepare the crank for use.
4. Turn the handle (P#4) clockwise to loosen and counter-clockwise to tighten.
5. When lug nut has been loosened, the hand crank can be removed from the tool and used for quick removal of the lug nut.

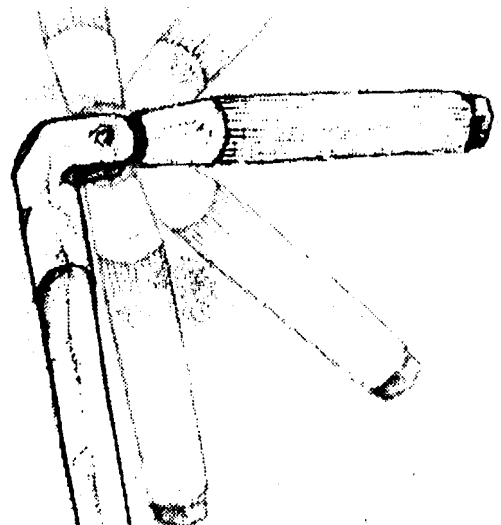
## Suggestions :

1. loosen all lug nuts with removal tool.
2. Then use handle wrench for quick removal of all lugs.
3. When replacement tire is in place, use handle wrench to tighten all lugs.
4. Then, reassemble the basic tool and give the final tightening to all lugs.
5. When damaged tire is fixed or replaced, all lugs should be retightend to MFG Specifications This requires a torque wrench.

Alternative : Remove the jack and fully tighten the lug nuts in the order shown in your manual. As soon as possible, have a dealer or a qualified service technician check the lug nuts for proper torque specifications.

**Caution :**

Reinstall the lug nut, tightening until the wheel is snug against the hub.



**Tire Tool**

**Pt#1**



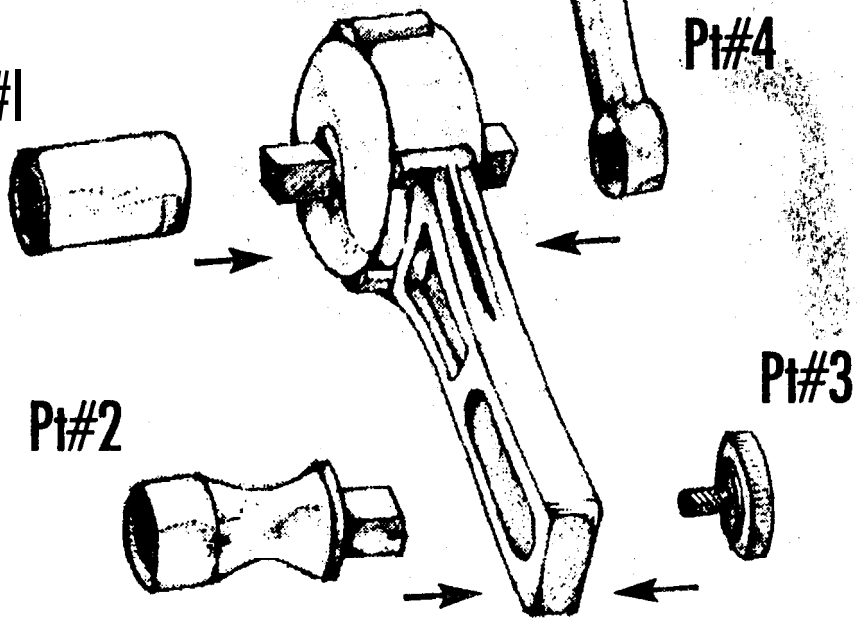
**Pt#4**



**Pt#2**



**Pt#3**



## Quick Removal of Loosened Nuts

Remove **Pt#1** (lug socket) from back of tool and insert into end of separate handle.

The handle now can be used for quick removal of all loosened nuts.

