

## OPERATION

To operate, turn on the switch. It will be illuminated when on and will be dull when off.

Your Warmrail Heated Towel Rack costs less or about as much as running a regular light bulb. It will take approximately 45 minutes for the Heated Towel Rack to reach its operating temperature, although this time will be shorter if towels are in place.

The Warmrails Heated Towel Rack operates with a fixed power output. However, when operated with several layers of towels over the Heated Towel Rack, the temperature will increase. Once the towels are removed and where the panels are exposed, the temperature of the Heated Towel Rack will quickly drop back.

Please note: damp or wet material that has either been dyed, or is not colorfast, can cause discoloration in the finish if that material is draped over a Heated Towel Rack while hot. Again, it is suggested that items are dried by using a completely protective layer of material such as a towel underneath.

**Warning – this appliance is intended only for drying textiles washed in water. Fabrics that contain soap or detergent residue may show what appears to be scorch marks. However this is simply the discoloration of the residue.**

**Warmrails does not accept responsibility for any damage, discoloration or other damage to any item regardless of circumstance. To reduce the possibility of damage, do not place any items other than towels directly on the Heated Towel Rack – always have a completely protective layer of towels between the Heated Towel Rack and any other item.**

## CARE

The Heated Towel Rack should be wiped down from time to time with a damp cloth.

**Do not use any abrasive or corrosive cleaners**

Marketed and Distributed by

**Warmrails**

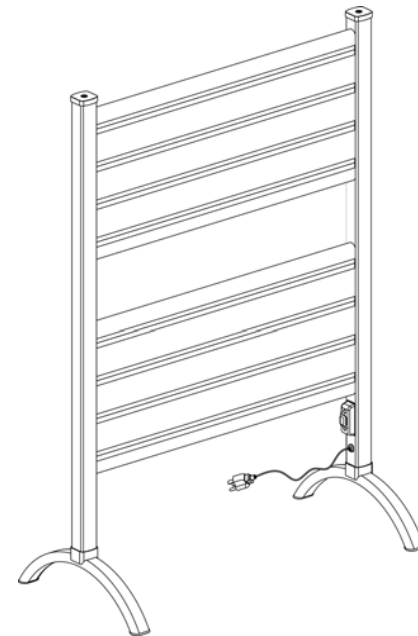
Huntington Beach, CA 92649  
Phone Toll Free: 877.927.6724

**Warmrails**

# Hampton

## TOWEL WARMER AND DRYING RACK

### INSTRUCTION MANUAL



Printed in China

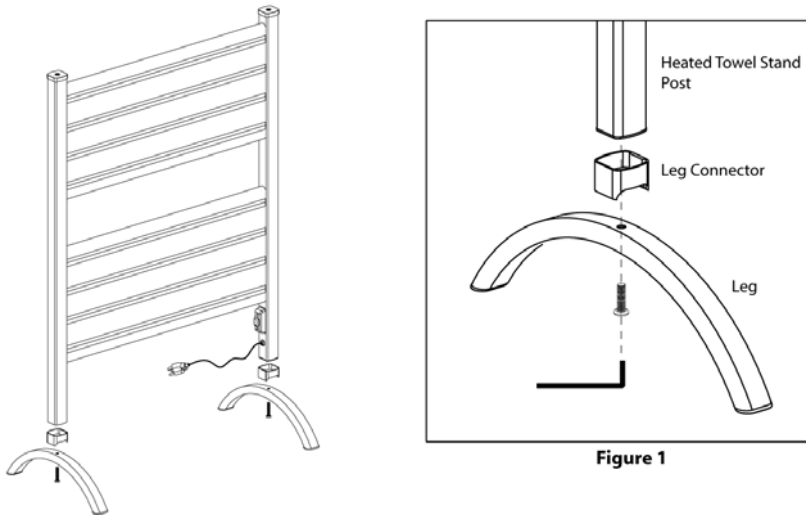
**cUL** US LISTED

## ASSEMBLY

This appliance must be used in accordance with any prevailing electrical code and relevant electrical wiring rules and regulations and in particular those regulations that cover use of appliances and accessories in damp situations such as bathrooms, showers, laundries and other areas with fixed water containers.

Your Warmrail comes complete with two allen bolts and an allen key which you will find in a small plastic bag. Use the bolts to secure the legs to the Heated Towel Stand. Remove all the components from the carton and make sure that all parts are present. If any parts are missing, do not attempt to install the appliance, instead call Warmrails on 877.927.6724.

1. Your Warmrail requires minimal assembly prior to use. To assemble you may have to turn the unit upside down or lay it flat on an elevated surface to attach the legs.
2. Place Leg Connector in between bottom of Heated Towel Stand post and top of curved leg. See Fig. 1
3. Using the allen key, insert the allen screw provided.
4. Repeat steps 1-3 to install the second leg.
5. Once both legs are securely fastened to the Warmrail, turn it over and stand it back on its feet. Remove any bags, ties, etc, making sure to take note of any warning labels.
6. Plug the cord into a 120V outlet and turn the Warmrail on at the switch.
7. Do not use your Warmrail if it is not properly assembled.



Optional wall mounts available. Please contact Warmrails –Toll Free: 877.927.6724



## SAFETY INFORMATION

When using any electrical appliance, basic safety precautions should always be observed.

### READ THESE INSTRUCTIONS CAREFULLY

- Do not use this appliance for other than its intended use.
- To avoid a hazard, the Heated Towel Rack MUST NOT be used to hold towels or any other articles that have been in contact with oil, petroleum based products or dry cleaning fluids.
- Use this appliance only on the voltage specified on the rating plate, or elsewhere in the instructions.
- Regulations require that only authorized persons carry out electrical work. For your own safety and that of others, ensure this is done.
- Do not store your Heated Towel Rack while hot or still connected to the power supply.
- Do not immerse the Heated Towel Rack in water or any other liquid.
- Do not allow the cord set to come into contact with heated surfaces during operation.
- This product should not be used outdoors.

### WARNINGS

#### HIGH OPERATING TEMPERATURE:

- This towel warmer operates at high temperature that can cause burns.
- Do not touch surfaces of the towel warmer while the warmer is in operation.
- Do not allow unsupervised children in the vicinity of the towel warmer; and warn children of hot surfaces.

#### TO AVOID THE POSSIBILITY OF ELECTROCUTION:

- Do not immerse towel warmer in water or any other liquid.
- Do not place towel warmer in a location where it may fall into a tub or shower, or otherwise become immersed in water; and if the towel warmer falls into water, immediately unplug it. Do not reach into the water.

## SPECIFICATIONS

HEIGHT	WIDTH	DEPTH
35 3/8"	22 1/4"	14"

Supply: 120 volts a.c. 60 Hz, single phase