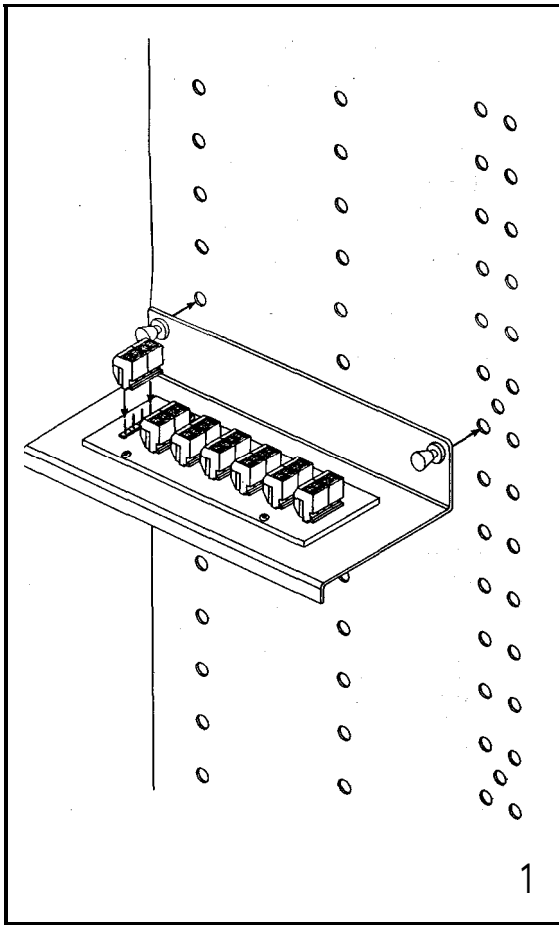


## 1x6 Passive Audio Module 1x6 Mddulo de Audio Pasivo Module audio **passif** 1x6



A Division of Leviton Manufacturing Co., Inc.

## 1x6 Passive Audio Module

**Description:** Connects up to **6** pairs of speakers to one amplifier or receiver. Parallel connection scheme assures best sound quality. Easily installs in the **Leviton** Structured Media Center (SMC) enclosure.

**WARNING:** TO BE INSTALLED AND/OR USED IN ACCORDANCE WITH APPROPRIATE ELECTRICAL CODES AND REGULATIONS.

**WARNING:** IF YOU ARE NOT SURE **ABOUT** ANY PART OF THESE INSTRUCTIONS, CONSULT A QUALIFIED ELECTRICIAN.

**CAUTION:** If the amplifier or receiver is rated for **8-ohm** operation only one pair of speakers can be connected to it. A maximum of 2 pairs of speakers can be connected to an amplifier that is rated for **4-ohm** operation and a maximum of 4 pairs of speakers can be connected to an amplifier rated for **2-ohm** operation. When directly connecting the speakers to the 1x6 Passive Audio board, be careful that not too many **pairs** of speakers are connected. If too many pairs are connected, the amplifier, stereo receiver or speakers could be damaged.

**Wiring and Operation:** Speaker wire runs situated inside a wall need to be fire-rated. When in doubt, consult your local electrical inspector for correct wire ratings, Speaker wires can be solid or stranded 18 to 14 gauge. Larger 14 gauge wire typically gives better sound quality than smaller wire sizes.

Remove the screw terminals from the **Leviton** 1x6 Passive Audio Module board (pull the screw terminal blocks from the mounting pins). Wire both (left and right) amplifier or stereo receiver speaker outputs to a four position screw terminal, carefully observing polarity. Firmly screw the wires in place making sure any loose wire strands are removed. Push the connector with the amplifier wires onto the Audio **Board** marked "From Amp". Wire speakers to the remaining **4-position** screw terminal blocks, carefully observing polarity. Firmly screw the wires in place making sure any loose wire strands are removed. Push the remaining connectors onto the board marked "**Room1**", "**Room2**", etc.

If you are using stereo volume controls with some or all of the speakers connected to this board, wire the correct number of Passive Audio board terminals to the volume control inputs (usually labeled on the volume control "AMP" or "To Amp"). Plug the terminals to the Passive Audio board labeled "**Room1**", "**Room2**" etc.

**Leviton** recommends the use of the **Decora**<sup>®</sup> Volume Control Kit(s) (PN# 4821 I-IVK with ivory color volume control, 4821 1-WVK for white, or 4821 1-AVK for almond).

Follow the volume control instructions to connect the speakers to the volume controls. Be careful that multiple volume controls connected to the Passive Audio board do not overload the stereo amplifier or receiver. Check the volume control instructions for maximum number of volume controls that can be connected to the amplifier, and for proper operation of volume controls.

To install the module into the Leviton Structured Media Center, use the black plungers to firmly snap the metal bracket onto the enclosure.

To view pictures, descriptions, specifications, or instruction sheets for the parts described in this instruction sheet, *please* visit our web site at: [www.levitontelcom.com](http://www.levitontelcom.com)

#### **IMPORTANT INSTRUCTIONS**

1. Read and understand all instructions. Follow all warnings and instructions marked on the product.
2. Do not use this product near water, e.g. near a tub, wash bowl, kitchen sink, laundry tub, in a wet basement, or near a swimming pool.
3. Never push objects of any kind into this product through cabinet slots, as they may touch dangerous voltages.
4. SAVE THESE INSTRUCTIONS.

#### **SAFETY INFORMATION**

1. Never install communications wiring or components during a lightning storm.
2. Never install communication components in wet locations unless the components are designed specifically for use in wet locations.
3. Never touch uninsulated wires or terminals unless the wiring has been disconnected at the network interface.
4. Use caution when installing or modifying communications wiring or components.
5. To prevent electrical shock, each opening must be fitted with a module.