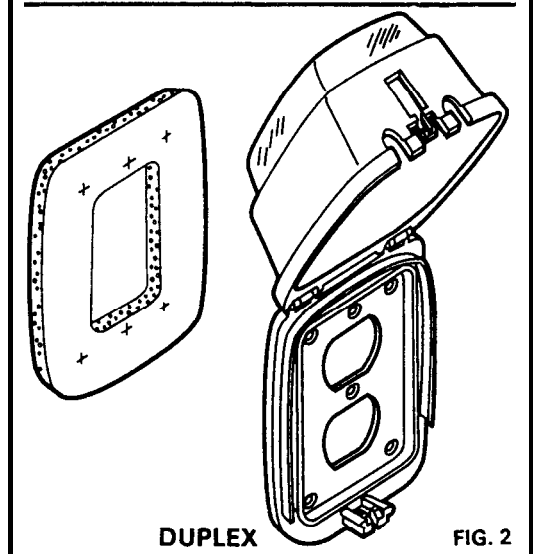
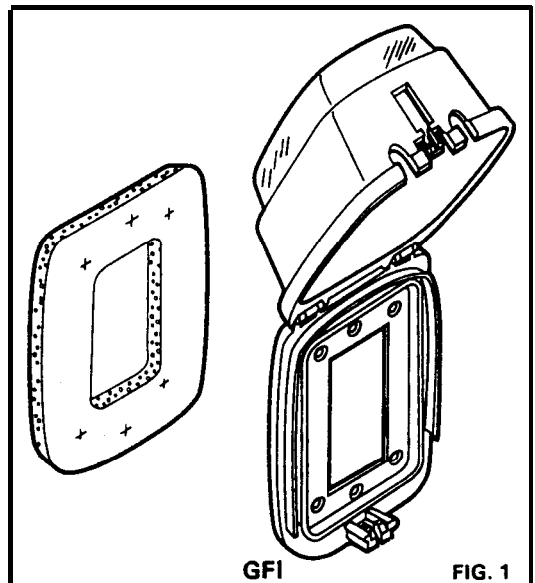


WEATHERTIGHT RECEPTACLE COVER INSTALLATION INSTRUCTIONS

This device must be mounted in accordance with all local and National Electrical Code requirements. The following illustrations are typical mounting configurations which may or may not meet your local requirements.

This weathertight receptacle cover can be used outdoors or indoors where high humidity or water sprays may exist. The cover is molded of clear ultraviolet stabilized polycarbonate material for easy verification that cords are properly plugged in. This product is U.L. listed for outdoor or indoor applications such as greenhouses, manufacturing plants, milking parlors, poultry houses and other such applications. This weather-tight receptacle cover should be installed on a smooth flat non-porous surface such as flat enameled siding, flat aluminum siding or equivalent with no joints, cracks, gaps, ribs, protrusions or other irregularities under them.

To assure a weathertight seal between the cover and surfaces which are irregular such as brick or cedar siding, a 1/4" minimum bead of nonhardening caulking compound of silicone (preferred), neoprene, urethane or polyurethane type should be placed between the weathertight receptacle gasket and the mounting surface. (See Fig. 3).



INSTALLATION

This weathertight receptacle cover is designed to provide protection for permanently or semipermanently installed appliances such as rotisseries, low voltage outdoor lighting, holiday lighting or other such permanent or semipermanent power requirements. This receptacle cover is designed to protect the receptacle from moisture "while in use" for safety and to prevent nuisance tripping of the circuit breaker. When properly closed, the receptacle cover will protect all receptacles from rain or other moisture whether in use or not.

The receptacle cover is **designed** for mounting on a vertical receptacle regardless of whether it is a standard 2 outlet duplex or a 2 outlet decorator or GFI type outlet. Two inserts are included with the receptacle cover for these applications. (See Fig. 1 & 2).

In order to ensure a weathertight cover, the self-closing receptacle cover must be installed so that the hinge points are located at the top. (See Fig. 3).

The following items are included with this weathertight receptacle cover.

1. Weathertight cover/base (factory pre-assembled).
2. Universal insert for 2 outlet duplex receptacle.
3. Universal insert for **GFI receptacle or decorator style receptacle.**
4. **Neoprene gasket with slits for mounting screws.**
5. **Baggie assembly with 4 long mounting screws and 2 short mounting screws.**

CAUTION: DISCONNECT POWER TO THE RECEPTACLE AT THE CIRCUIT BREAKER PANEL BEFORE INSTALLING THIS RECEPTACLE COVER.

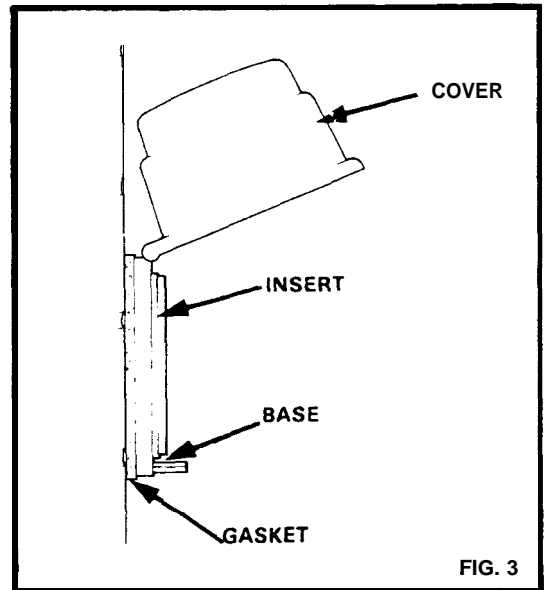


FIG. 3

CAUTION: DISCONNECT POWER TO THE RECEPTACLE AT THE CIRCUIT BREAKER PANEL BEFORE INSTALLING THIS RECEPTACLE COVER.

To install your receptacle cover, follow the steps listed. (See Figures 4, 5, 6, 7 and 8).

IF USING A POWER SCREWDRIVER, BE CAREFUL NOT TO OVER TIGHTEN THE SCREWS BECAUSE YOU WILL STRIP THE THREADS IN THE JUNCTION BOX AND/OR THE ELECTRICAL DEVICE.

1. If installation is being done on an existing receptacle, remove the existing receptacle cover and discard.
2. The mounting screws which hold the receptacle or GFI to the junction box can be removed. Do not remove receptacle wiring connections.
3. Select the proper insert and press insert into base/cover assembly. Press insert firmly into this assembly and it will remain there during the remaining assembly steps.
4. Locate gasket as required for the installation. Be sure gasket is held to the back of the base/cover and insert assembly using the four projections molded on the insert to locate the gasket.
5. Mount the cover/base and insert assembly and the existing receptacle, hinge on top, to the junction box using two of the long screws provided (DO NOT OVER TIGHTEN).

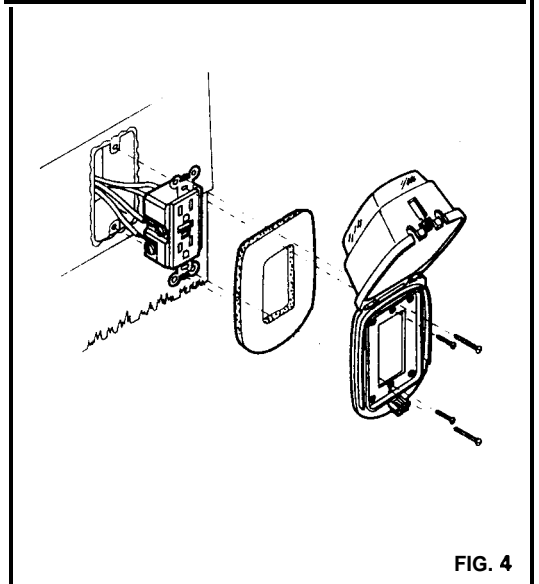


FIG. 4

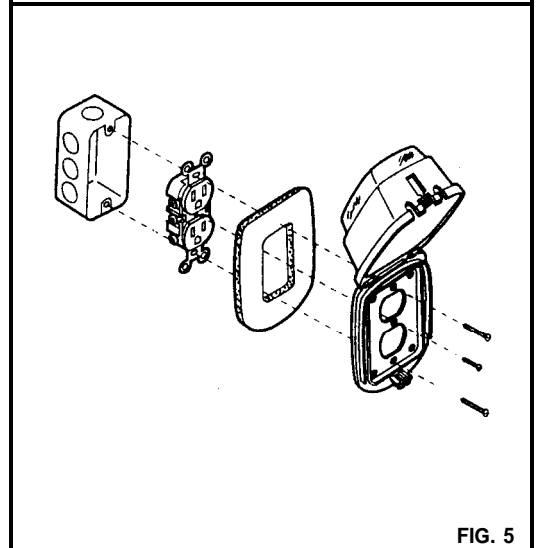


FIG. 5

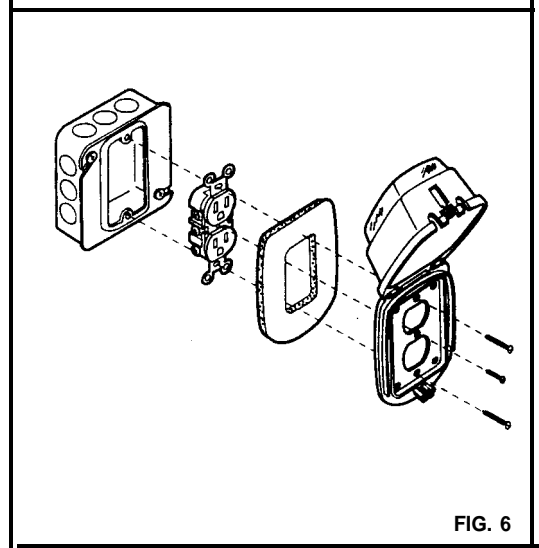


FIG. 6

6. If mounting to an outdoor junction box or field service (FS) box, use the remaining long screws, two or four screws as required, **to further** secure the cover/base and insert assembly to the box. Note that holes are located in the insert for mounting to an FS box or any standard single gang junction box. For specially designed junction boxes, holes should be carefully drilled to line up with the holes in the junction box to **accomodate** mounting.
7. Be sure all screws are secure but not over tightened. Then install the remaining one or two short screws into the receptacle as required.
8. A small molded tab (see Figure 8) is provided to release the cover once it is snapped shut. This tab can be broken off if **desired to inhibit entry**. Once this tab has been removed, the cover can be released with a standard screwdriver blade or other narrow bladed object.

FOR BEST PROTECTION FROM RAIN OR HUMIDITY, BE SURE TO ROUTE THE CORDS THROUGH THE CORD OUTLETS IN THE COVER AND PRESS THE COVER FIRMLY UNTIL IT SNAPS CLOSED.

