

# INSTALLATION INSTRUCTIONS

## 282-00 and 284-00 MINI EMITTERS

### DESCRIPTION

The 282 Single and the 284 Dual Mini Emitters each contain a tiny Infrared LED, housed in a miniature, black appearing, injection molded plastic shell. They emit IR (infrared) control signals sent to them by IR receivers or other Xantech controllers. The emitters are designed to be installed directly on the IR sensor window of each controlled device.

### INSTALLATION

#### ATTACHING THE EMITTERS TO IR SENSOR WINDOWS

- Each emitter has a clear adhesive layer on the bottom flat surface of the shell.
- Simply peel off the protective cover and affix the emitter to the center of the IR sensor window on the controlled component's front panel.
- In some cases it may be difficult to find the location of the IR sensor on the component. Consult the owner's manual of the unit, or the manufacturer, for exact IR window location.

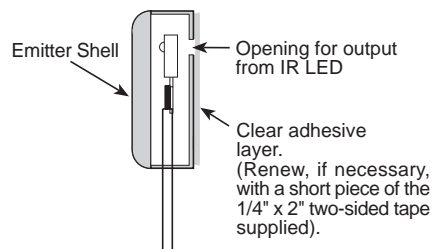
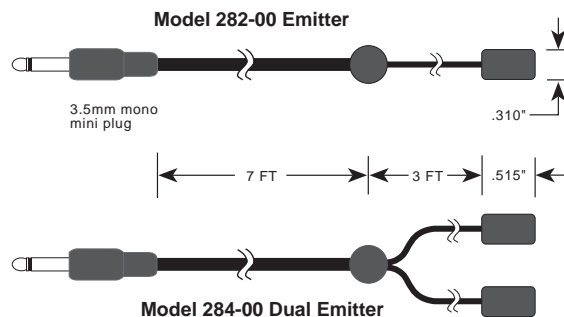
#### SHELL TYPES

The 282 Single and the 284 Dual Mini Emitters include two different types of shells to enclose the IR emitting LED, as follows:

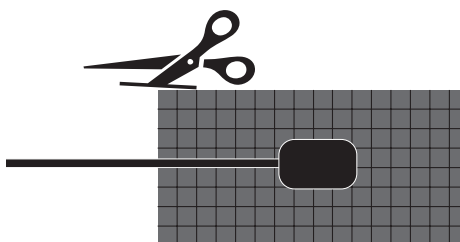
- **DARK RED (IR CLEAR) SHELL.** Installed at the factory, this shell allows IR signals to pass through it to the IR sensor window of the controlled device.
- It is used for applications where you want direct control of the equipment from a handheld remote as well as with a 282 or 284.
- **BLACK (IR OPAQUE) SHELL.** Included in the package, this shell will not allow IR signals to pass through it.
- It is especially useful for zone controlled applications where you want the equipment controlled only by the 282 or 284 fastened over the equipment IR sensors.
- The IR LED on the inside emits IR through a small hole on the adhesive side of the shell.

#### INSTALLING THE WINDOW MASK

- In most cases, the black opaque shell will not completely cover the equipment's IR sensor window. If necessary, use the **WINDOW MASK** to prevent unwanted IR signals from leaking past it.



**BLACK WINDOW  
MASK**



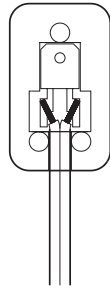
## Install as follows:

1. Mount the 282-00 or 284-00 with the black (IR opaque) shell to mask using a short piece of two sided tape (supplied). Accurately align the small hole in the shell over the center of the 1/8" hole in the mask.
2. Neatly trim the mask so that it slightly overlaps the extremities of the equipment's IR sensor window.
3. Remove paper backing from mask and mount Emitter assembly on IR sensor window.

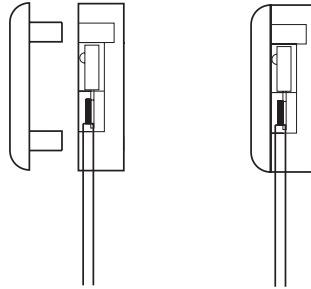
## CHANGING THE SHELLS:

- The shells are easily changed by prying the two halves apart with the sharp edge of a small knife.
- **Caution: Pry up evenly to avoid breaking the small tabs!**
- Reassemble by pressing the two halves together with the tiny IR LED in place as shown. No adhesive is necessary to hold them together. Refer to the following diagrams:

Insert IR LED into bottom of shell section with the dome side of the LED facing up.



Carefully snap cover section into place.



## CONNECTING THE EMITTERS•

- Simply insert the mono mini plug of the 282-00 and 284-00 emitters into the "EMITTERS" or "OUT" jacks on any of the Xantech Connecting Blocks or Controllers.
- **CAUTION: DO NOT plug emitters into the IN/OUT or HIGH OUT jacks on the 790-00 and 791-40 Connecting Blocks.** To do so will destroy the emitters!
- The following diagram illustrates a typical basic system using the 282-00 and 284-00 emitters.
- The 284 is designed to control two devices. If only one is to be controlled, hide the extra emitter behind the equipment. It may be used in the future if an extra device is added.
- DO NOT CUT the extra emitter wire in an attempt to remove it. The two emitters are wired in series. Cutting or removing one emitter will prevent the other from working.

