

TYPICAL SYSTEM CONNECTIONS ISM4 INTELLIGENT SYSTEM MANAGER PROGRAMMING QUICK START GUIDE

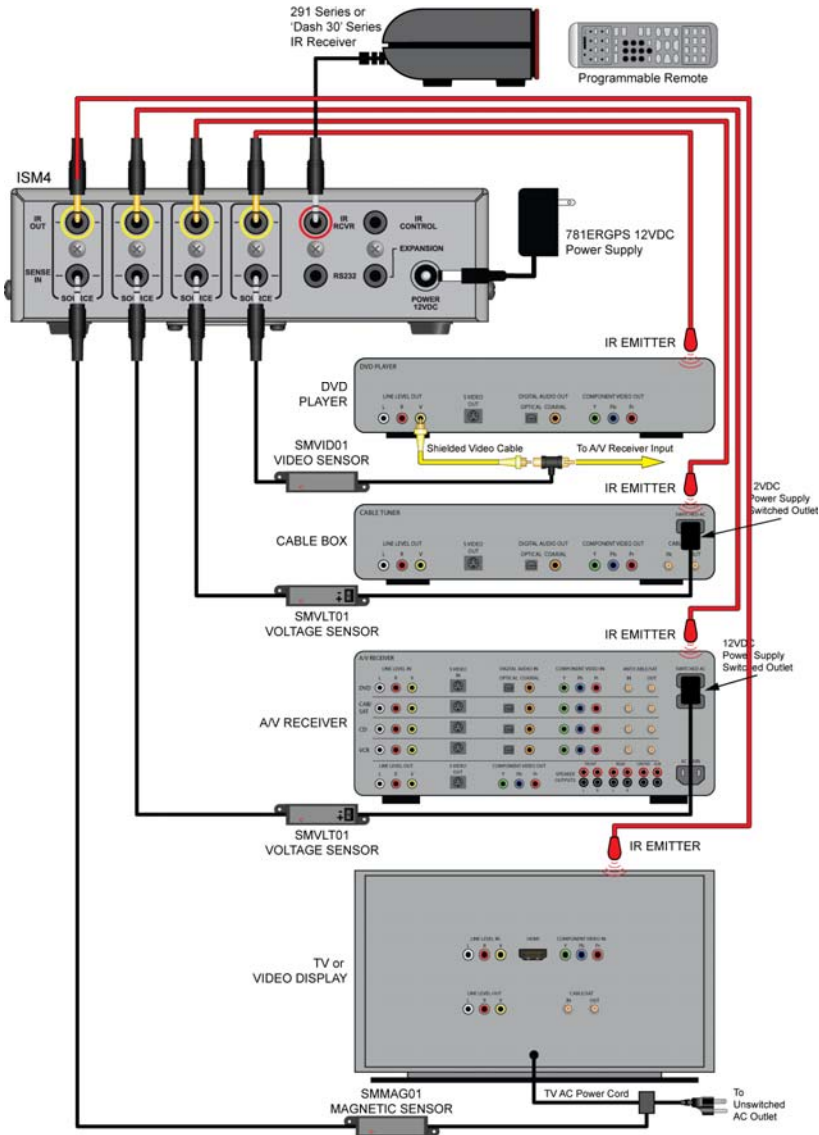


This ISM4 Programming Quick Start Guide provides basic instruction to programming an ISM4. To use the Quick Start, fill out the Macro Programming Table and follow the Programming Instructions. For complete instructions on installation, connections and additional programming capabilities, refer to the ISM4 Installation & Programming Instructions.

The System shown on the back cover illustrates a typical Home Theater System. When configured as shown, when the TV is turned ON, the ISM4 will sense the TV ON state, look at Sources 2-4 (A/V Receiver, Cable Box and DVD Player) and if any of them are OFF, automatically output the Source ON Macros for those devices to turn them ON. If at any time, while the TV is ON, any of Sources 2-4 turns OFF, the ISM4 will automatically turn it back ON. When the TV is turned OFF, the ISM4 will sense the TV OFF state, look at Sources 2-4, and if any of them are ON, automatically output the Source OFF Macros for those devices to turn them OFF.

There are endless applications for this type of power management, and there are two other system examples in the ISM4 Installation & Programming Instructions for reference. See Section: System Applications.

MACRO PROGRAMMING TABLE								
IR Command	Source 1		Source 2		Source 3		Source 4	
	ON	OFF	ON	OFF	ON	OFF	ON	OFF
Brand								
Device								
Command								



TYPICAL SYSTEM CONNECTIONS ISM4 INTELLIGENT SYSTEM MANAGER PROGRAMMING QUICK START GUIDE

PROGRAMMING INSTRUCTIONS

The following instructions are for basic **Source ON/OFF Programming only**. Each **Source ON** and **OFF Macro** can include up to **five IR Commands**. Please refer to the **ISM4 Installation & Programming Instructions** for complete programming instructions.

To properly **Program** and **Test IR ON/OFF Commands** each of the **Source IR Emitters** must be connected to the appropriate **ISM4 Source IR Out**, and attached to the appropriate device over the **IR Eye**.

If Source 1 is going to be turned ON/OFF manually or with a remote control, and there are no additional commands in the ON or OFF Macros, it is not necessary to program the Source 1 ON or OFF Macros. The ISM4 will sense the **ON or OFF condition of Source 1** and automatically sync **Sources 2-4**

Learn IR

1. Press the **Sequence Button** for 2 seconds to enter **Edit Mode**. The ISM4 will default to the **Source 1 ON Macro**. (Source 1 and Program LED's solid green.) To advance to the **Source 2 ON Macro**, press the **Next Button** for 2 seconds. The **ISM4** will shift to the **Source 1 OFF Macro**; (Source 1 LED solid green, Program LED solid orange.) Press the **Next Button** for 2 seconds. The **ISM4** will shift to the **Source 2 ON Macro**; (Source 2 LED and Program LED's solid green.)
2. Press the **Sequence Button** to enter IR Learn Mode for the **Source 2 ON Macro**. The **Source 2 LED** will flash for about five seconds. This is the amount of time allowed to teach an **IR Command**.
3. Position the **IR Remote** for **Source 2** directly in front of the **IR Learn Window** on the ISM4 (approx. 1-3 inches) and press and hold the **ON** or **Power Button** on the teaching remote until the **Program LED** flashes **green** three times. If the **Program LED** flashes **red** three times, proceed to **Step 8**.
4. Press the **Test Button** and confirm the function of the learned command on **Source 2**.
5. If **Source 2** responded properly to the learned command, press **Sequence** again to **save** the command. The **Program LED** will flash once. Proceed to **Step 11 or 13**, as appropriate.
6. If **Source 2** *did not* respond properly to the learned command, press **Delete**. The ISM4 will automatically go into **IR Learn Mode** for the **Source 2 ON Macro**.
7. Repeat **Steps 3-6** as necessary until the command is learned, tested, confirmed and saved.

IR Learn Error

8. If the **Program LED** flashed **red** three times during IR Learn, that indicates a learn error. Press **Delete** to remove the bad command from memory.
9. Repeat **Steps 2-6** as necessary until the command is learned, tested, confirmed and saved.

Test Macro

10. After a **Source ON** or **OFF Macro** has been programmed, tested and saved, the **Macro** can be tested by pressing the **Test Button**.

NOTE: If the IR Command within the ON or OFF Macro was not properly saved, the Macro cannot be tested and the Program LED will flash red to indicate error.

Program Remaining Macros

11. Navigate to the next **Source ON** or **OFF Macro** to be programmed. From the **Source 2 ON Macro**, press the **Next Button** for 2 seconds. The **ISM4** will shift to the **Source 2 OFF Macro**. (Source 2 LED solid green, Program LED solid orange.)
NOTE: A 2 second press of the **Prev Button** will shift programming to the previous Macro. (i.e. a 2 second press of the Prev Button while in Source 1 ON Edit Mode, will shift Edit Mode to the Source 4 OFF Macro. (Source 4 LED solid green, Program LED red.)
12. Repeat **Steps 2-11** above until all **Source ON** and **OFF Macros** have been programmed, tested and saved. It is vitally important to program *both* the **Source 2-4 ON** and **OFF Macros**. The **ISM4** will not function properly if both sets of Macros have not been programmed.

Exit Edit Mode

13. To exit **Edit Mode**, at any time during Edit Mode, press the **Prev Button** for **5 seconds**. The **ISM4** will return to **Normal Operating Mode**.

Test ISM4 (All Macros)

NOTE: All system devices and components must be properly setup and connected to test ISM4 Macro Programming. Be sure all Sensors are connected to the appropriate device and Source Sense Inputs on the ISM4, and be sure all IR Emitters are connected to the appropriate Source IR Out on the ISM4 and attached to the correct device over the IR eye for that device.

14. With all **Sources OFF**, turn **Source 1 ON**. **Sources 2-4** should turn ON. If any Source did not turn ON, test the individual **ON Macro** for that **Source**. Re-learn **IR Commands** as necessary until the system powers up correctly.
15. Repeat **Step 14** for System OFF. (Turn **Source 1, OFF**). **Sources 2-4** should turn OFF.