

AV Format

Size H x W	Case Length	Net Wt. (lbs.)	Qty.	Size H x W	Case Length	Net Wt. (lbs.)	Qty.
50" x 50"	4'8½"	26		7' x 9'	9'7"	47	
60" x 60"	5'6½"	30		9' x 9'	9'7"	49	
70" x 70"	6'4½"	35		8' x 10'	10'7"	54	
84" x 84"	7'6½"	40		10' x 10'	10'7"	58	
72" x 96"	8'7"	44		9' x 12'	12'7"	61	
96" x 96"	8'7"	45		12' x 12'	12'7"	66	

Nominal Diagonal	Image Area H x W	Overall Size	Case Length	Net Wt. (lbs.)	Qty.
4:3 NTSC Video Format					
6'	42½" x 56½"	46½" x 59½"	5'6½"	30	
7'	50" x 66½"	53½" x 69½"	6'4½"	35	
100"	60" x 80"	64" x 83½"	7'6½"	40	
10'	69" x 92"	73" x 96"	8'7"	44	
11'	78" x 104"	83" x 108"	9'7"	47	
150"	87" x 116"	92" x 120"	10'7"	54	
15'	105" x 140"	109" x 144"	12'7"	61	
200"	118" x 158"	123" x 162"	14'1"	68	

16:9 HDTV Format					
92"	45" x 80"	49" x 83½"	7'6½"	40	
106"	52" x 92"	56" x 96"	8'7"	44	
119"	58" x 104"	62" x 108"	9'7"	46	
133"	65" x 116"	69" x 120"	10'7"	54	
161"	79" x 140"	84" x 144"	12'7"	61	
184"	90" x 160"	95" x 164"	14'3"	68	

1.85:1 WideScreen Format					
99"	47" x 87"	51" x 90"	8'1"	40	
108"	50" x 92"	54" x 96"	8'7"	44	
120"	56" x 104"	60" x 108"	9'7"	49	
132"	63" x 116"	67" x 120"	10'7"	54	
162"	76" x 140"	80" x 144"	12'7"	66	
182"	86½" x 160"	91½" x 164"	14'3"	68	

Please Mark Appropriate Selections

Select Viewing Surface:

- Fiberglass Matt White
- Fiberglass Glass Beaded
- High Contrast Grey (Through 8' x 10' AV, 150" NTSC, 161" HDTV & 162" WideScreen)
- Optional Panamax seamless viewing surface
- Optional AT1200 (through 72" x 96" AV, 10' diag. NTSC, 133" diag. HDTV & 132" diag. WideScreen)
- Optional AT Grey (same as AT1200)

Control Options:

Please Note: this Draper motorized screen standardly comes with one 110-120v 3-position wall switch. For other control options, select from below:

— Number of control stations required. Stations operate independently.

- 110-120 Volt 3-Position Switch
- 24 Volt 3-Button Switch
 - Radio Frequency Remote Control (only with 24v)
 - Infrared Remote Control (only with 24v)
- Key Operated Switch
 - Power Supply Key Switch (On-off)
 - 3-Position Key Control
 - 3-Position Switch with Hinged Key-Locking Coverplate

Optional Accessories:

- Extra Screen Drop (Total screen height cannot exceed 12')
 - Same color as viewing surface (standard on AV format screens)
 - Black (standard on all other formats)
 Length of extra screen drop required _____
- Black Masking Borders (Optional on AV format sizes; standard on all others)
- Optional Ceiling Opening Trim Kit for Recessed Installations
 - For case lengths through 7'6½"
 - For case lengths over 7'6½" and through 8'6½"
 - For case lengths over 8'6½" and through 10'6½"
 - For case lengths over 10'6½" and through 14'6½"

Specifications—Targa

_____ projection screens, size _____ h. x _____ w., electrically operated 110-120v AC, 60 hz. Motor mounted inside screen roller, 3-wire, instantly reversible, lifetime lubricated. Equipped with internal thermal overload protector and electric brake. Motor mounted on rubber vibration insulators. To have pre-set, accessible limit switches.

Roller to be 3" dia. metal, mounted on rubber insulated supports. Viewing surface of (fiberglass matt white/glass beaded/High Contrast Grey/optional Panamax/optional AT1200/optional AT Grey), fire retardant and mildew resistant. Note: Matt white and glass beaded surfaces up to 10' high will be seamless. Bottom of viewing surface attached to weighted dowel.

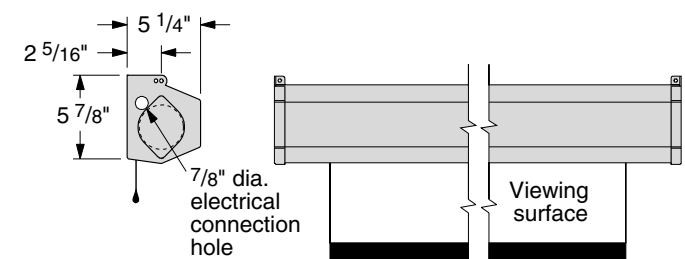
Case of 22 ga. steel with flat back design and scratch-resistant white polyester finish. Case formed from one piece steel. Endcaps of finished to match case, forming universal (wall or suspended) hanging brackets. Three-position control switch shall stop or reverse screen at any point in the operating cycle. Switch(es) furnished complete with coverplate.

Optional white aluminum ceiling opening trim kit available to trim opening when screen is to be recessed above the ceiling.

Entire unit certified by Underwriters' Laboratories, Inc. for the United States and Canada (except when furnished with Panamax viewing surface).

Downloadable 3-part specifications are available at www.draperinc.com.

Case Dimensions

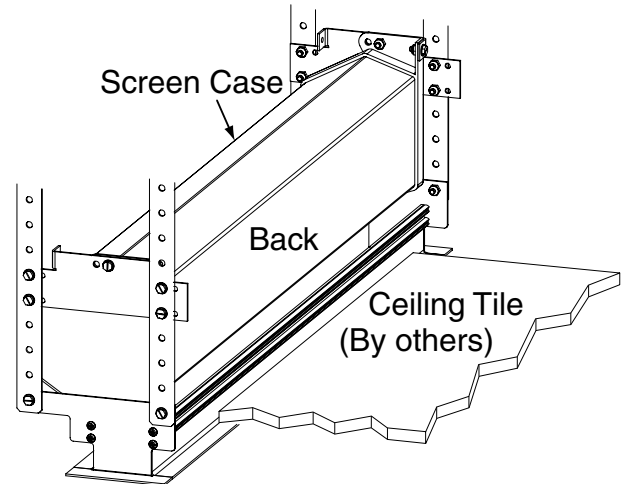


Case height — 5³/₁₆"

Case depth — 5¹/₄"

Hanging brackets extend ⁵/₈" in height above screen case.

Recessed Installation with Optional Ceiling Opening Trim Kit



PROJECT: _____

ARCHITECT: _____

CONTRACTOR: _____

SUPPLIER: _____

DATE: _____ REVISED: _____

Installation/Operating Instructions

Targa Electric Projection Screen by Draper

Caution

- 1 Read instructions through completely before proceeding.
 - 2 Follow instructions carefully. Installation contrary to instructions invalidates warranty.
 - 3 Screen should be accessible for complete removal should fabric become damaged or should other service be required.
 - 4 Screen should be installed level (using a carpenter's level).
 - 5 Nothing should be fastened to screen dowel or viewing surface.
 - 6 Operating switch(es) packed separately in screen carton. Do not discard with packing material.
 - 7 Screen operates on 110-120v, 60 hz. current.
- NOTE:** Screen has been thoroughly inspected and tested at factory and found to be operating properly prior to shipment.

These instructions are meant as a guide only. They do not imply any responsibility on the part of Draper, Inc. for improper installation or faulty workmanship at the jobsite.

Hanging Screen

General:

When locating viewing surface and checking clearance for screen's operation, remember surface is centered in case. Handle case carefully to protect its finish. Regardless of mounting method, screen should be positively and securely supported so that vibration or even abusive pulling on the viewing surface will not cause case to work loose or fall. Installer must insure that fasteners used are of adequate strength and suitable for the mounting surface chosen.

Suspended Installation:

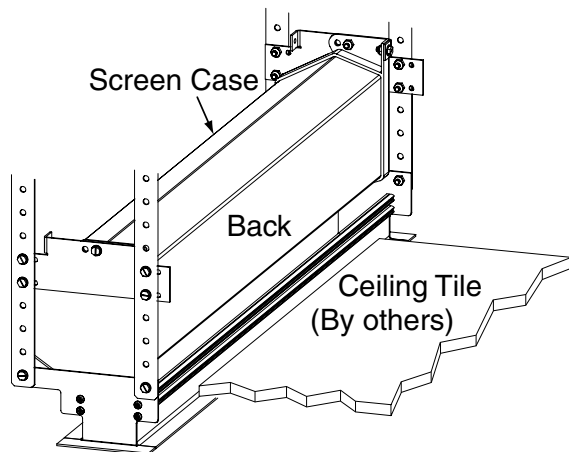
Suspend screens from holes in endcaps as shown. "S" hooks are included, but chains (or cable) and turnbuckles should be provided by installer. Chains should be attached to beams or other structural members. Turnbuckles should be adjusted so screen hangs level.

Wall Installation:

Mount screen through holes in back of endcaps as shown. Installer should furnish screws, toggle bolts, molly bolts, nylon or lead anchors as required.

Recessed Installation:

Recess should permit access for removal of screen if necessary. Screen may be mounted as in suspended or wall installation. Optional Ceiling Opening Trim Kit available; see diagrams below and on page 2, and separate instruction sheet (included with Ceiling Opening Trim Kit).



Electrical Connections

Screen operates on 110-120v, 60 hz. current.

Junction box is located inside left endcap and cover plate is secured to endcap with two screws. Junction box contains red, black and white pigtail leads and green internal ground wire, per wiring diagram on reverse.

Screen is shipped with internal wiring complete and control switch(es) fully boxed. Wire connecting screen to switch(es) and switch(es) to power supply should be furnished by installer. Connections should be made in accordance with attached wiring diagram, and wiring should comply with National and local electrical codes.

All operating switches should be "off" before power is connected.

Operation

Before operating screen remove tape securing fabric and dowel to roller. If viewing surface hangs out of case 8"-9", tape has probably been broken by rough handling in shipment, allowing surface to "unwrap" one turn about the roller. Manually wrap fabric back around the roller without turning the roller itself.

110-120v Single Station Control — 3-position up-off-down switch permits operation to be stopped at any point. Factory adjusted limit switches automatically stop screen when fully down or fully up.

110-120v Multiple Station Control—Switches are similar in appearance to 110-120v Single Station Control. Screen stops when switch is released and may be restarted in either direction. Factory adjusted limit switches stop screen automatically when fully up or fully down.

24v Control — Three-button up-stop-down switches stop at any point desired, operate in any sequence. Factory adjusted limit switches automatically stop screen when fully up or fully down.

Key Operated Switching — Two kinds of key-operated switches are optionally available with this unit.

- 1 The key-operated power supply switch controls power to the screen and switches. When it is "off", the switches will not operate screen. Key may be removed from the switch in either "on" or "off" position.
- 2 A three-position key switch permits the screen to be operated directly by key. In this case, the screen's operator must always have a key.

Adjustments

Screen has been factory set and should not normally require further adjustment. However, if you desire to change the "up" and "down" stopping positions, proceed as follows:

CAUTION: Be sure all switches are in "off" position before adjusting limit switches. Always be prepared to shut screen off manually when new adjustment is being tested. Screen may be severely damaged if viewing surface is allowed to run too far up or too far down.

Adjusting "fully up" position — "Up" stopping position may be adjusted by turning the yellow limit switch adjustment socket. The yellow socket is located on left end of screen roller and is accessible to a screwdriver/Allen wrench (4mm or 5/32"). Turning the socket counterclockwise will allow the viewing surface to retract farther into the case. Turning it clockwise will cause the surface to stop farther out of the case. One full revolution of the socket will alter the stopping position of the viewing surface by approximately 1½".

Adjusting "fully down" position — "Down" stopping position may be adjusted by turning the white limit switch adjustment socket. The white socket is located on the left end of screen roller and is accessible to a screwdriver/Allen wrench (4mm or 5/32"). Turning the socket counterclockwise will allow the viewing surface to run farther down. Turning it clockwise will shorten the viewing surface, causing it to stop in a less extended position. At no time should viewing surface be unrolled enough to expose any part of screen roller.

DRAPER

411 S. Pearl St., Spiceland, IN 47385 USA ■ 765-987-7999 ■ fax 765-987-7142
e-mail draper@draperinc.com ■ www.draperinc.com

Copyright © 2004 Draper Inc.

Form Targa_Inst04-R

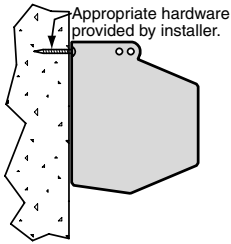
Printed in U.S.A.

If you encounter any difficulties installing or servicing your Targa screen, call your dealer or Draper Inc., Spiceland, Indiana, (765) 987-7999, fax (765) 987-7142 or e-mail draper@draperinc.com.

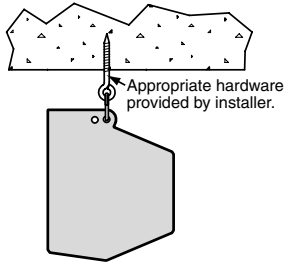
Targa by Draper

Types of Installation

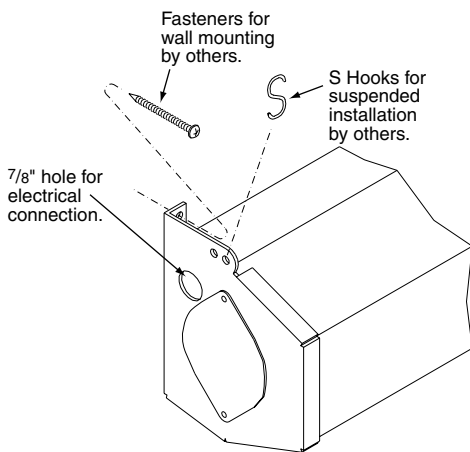
Wall Mounted



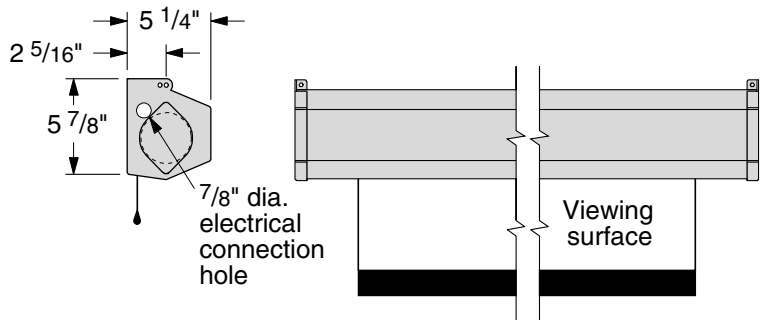
Suspended



Methods of Installation

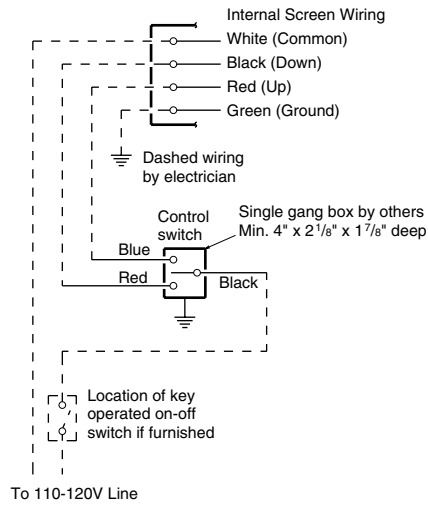


Case Dimensions

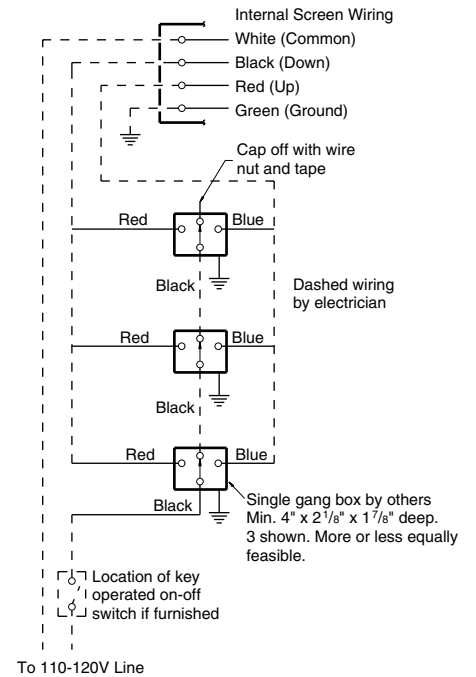


Wiring Diagrams

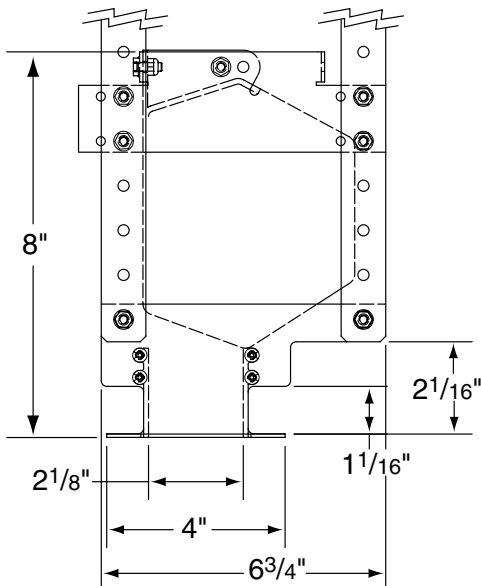
Single Station Control



Multiple Station Control



Optional Ceiling Opening Trim Kit (Dims-Side View)



Low Voltage (& Wireless) Control Wiring Diagram

