

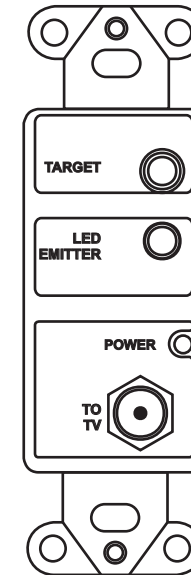
Channel Plus®

W h o l e H o u s e I R C o n t r o l

Warranty

Multiplex Technology, Inc. warrants this product to be free from defects in materials and workmanship for a period of one year from the date of purchase or MTI will repair, or at its option, replace the defective product. To obtain warranty service, call MTI for a return material authorization (RMA) number and return the product prepaid to Multiplex Technology, Inc., 3001 Enterprise Street, Brea, CA 92821, Attention: Customer Service. Please put the RMA number on the outside of the carton.

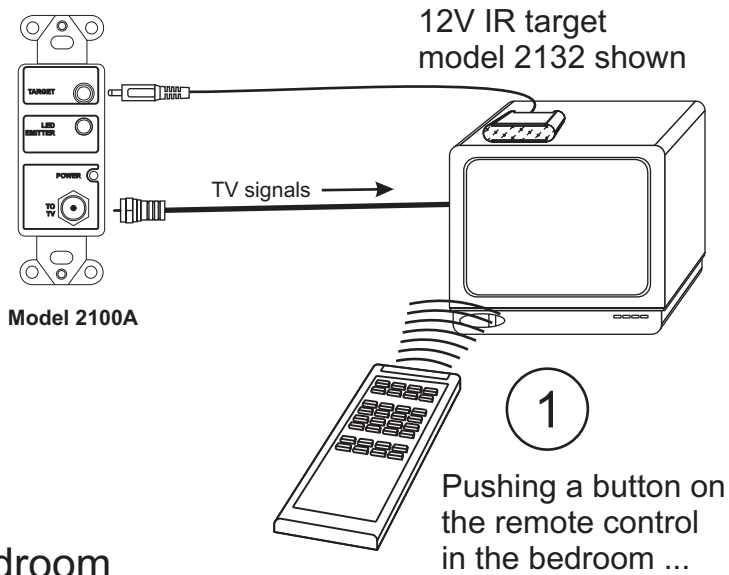
Any implied warranty arising from the sale of the product including implied warranties of merchantability and fitness for purpose are limited to the warranty stated above. MTI shall not be responsible for losses or damages or expenses, whether direct, consequential or incidental arising from the use of or the inability to use this product. Some states do not allow limitations on how long the implied warranty lasts or the exclusion or limitation or incidental or consequential damages, so the above limitations and exclusions may not apply to you. This warranty gives you specific legal rights, and you may have other rights which may vary from state to state.



Model 2100A
IR Wall Plate
(for 12V IR systems)

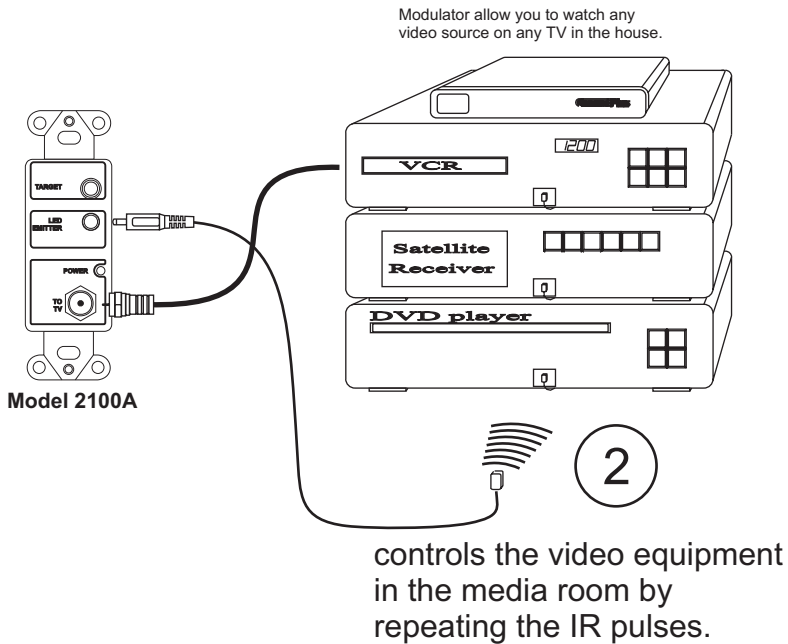
 multiplex®
technology, inc. 

Basic principal of IR repeating



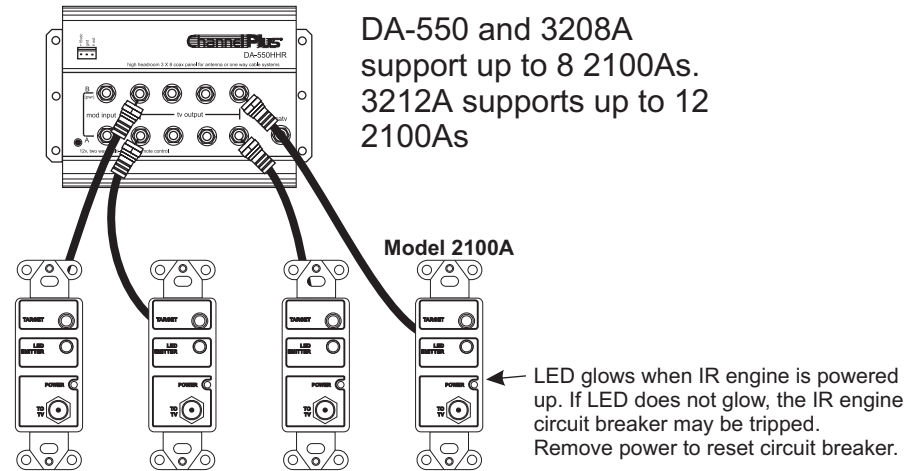
Bedroom

Media room or equipment closet



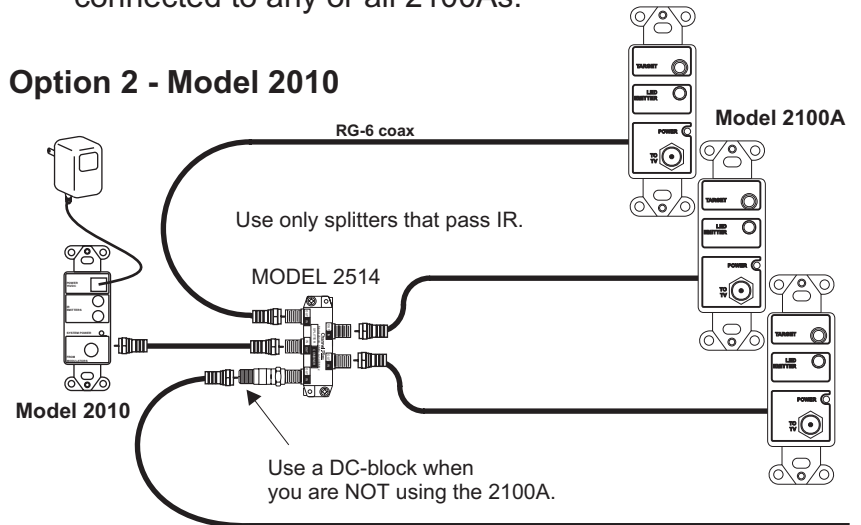
The 2100A must be powered by a 12V IR engine.

Option 1 - Coax panel with 12V IR engine
 Model 3208A, 3212A, DA-550HHR or DA-550BID.



Targets or emitters may be connected to any or all 2100As.

Option 2 - Model 21010



Terminating unused outputs is optional. If you choose to terminate, use only F terminators with a DC block. Otherwise, you will short out the IR engine and trip the internal circuit breaker. (Remove power to reset circuit breaker.)

