

EXSTREAMER

®



EXSTREAMER DIGITAL

**Network audio player
for digital audio streaming in
custom home installation
and commercial applications**

Barix AG
Seefeldstrasse 303
CH-8008 Zürich
Switzerland

T +41 43 433 22 11
F +41 1 274 28 49

www.barix.com
info@barix.com



Fully featured network based multizone
audio distribution system

Connects to PCs, digital audio servers
and analog sources using Instreamer

Audio synchronization of multiple devices

Control via home automation software,
web browser and IR remote control



THINK FURTHER

EXSTREAMER

Technical Specifications

Audio Format:

MP3 (up to 320 kBit), uncompressed formats (WAV) in future versions

Audio Interfaces:

Stereo RCA, 4.2Vpp max (OdbFs) SNR>90dB, S/PDIF out (optical, RCA)
level, bass and treble adjustable by browser

Network Interface:

RJ45 10/100 Mbit Ethernet (Auto), TCP/IP, UDP, ICMP, DHCP, AutoIP, SonicIP®, IPzator™, SMB/CIFS, integrated web server for control and configuration

Control Interfaces:

DSub 9pin male, 9600 Baud 8, N, I
3.5 mm Jack Infrared input for IR receiver
3.5 mm Jack Infrared output for IR transmitter

Misc:

Two LED (red and green) status indicators
Reset/Factory default button

Power requirements:

12 VDC 0.5 A, 230 VAC (EC) or
110 VAC (US) power supply included

Case:

aluminium elox, 480 g, 6.5" x 1.5" x 5"
165 mm x 38 mm x 127 mm

Certifications:

FCC, CE

User Interface:

browser based (integrated webservice),
serial port or ethernet control API for home
automation systems

The Exstreamer® Digital is a versatile, network connected digital audio player for a variety of applications.

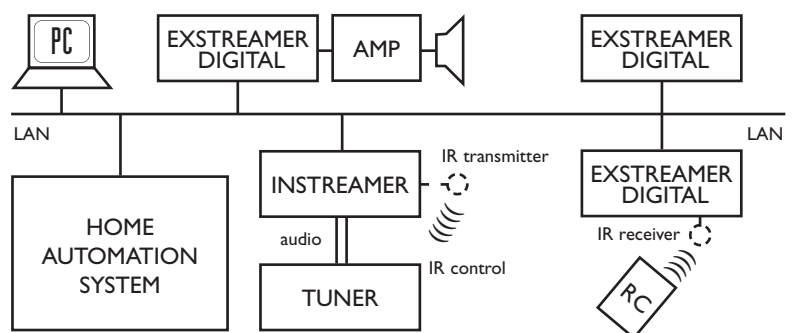
This device enables professional home installers to satisfy all customer requests when setting up a distributed audio system.

The Exstreamer Digital plays digital audio streams, including MP3 and uncompressed digital audio (in future versions), from sources such as digital audio servers, PCs or Internet radio stations as well as analog sources (using Instreamer) and provides analog and digital output.

An Exstreamer Digital can be easily controlled via a web browser interface using web-connected PCs, web pads, PDAs or simply by an IR remote control (using an optional IR receiver). With serial and ethernet control API's the device can be managed by typical home automation systems.

The Exstreamer Digital is perfect for multi-room distributed audio systems. Thanks to the audio synchronization capability, digital audio distribution to big halls or rooms is now easy to implement.

With an optional stick-on transmitter other IR enabled devices can be remote controlled via the network connection and Exstreamer Digital can also work as a bidirectional transparent IR gateway.



Connection to audio equipment is made simple by offering high level RCA analog as well as S/PDIF and coax digital outputs.

Installing the Exstreamer Digital is fast and simple due to its unique features - SonicIP and IPzator: after power-up the device will announce its IP address over the audio output !

The Exstreamer Digital supports various control and communication modes. Software developers can easily write audio applications using one of the well documented Ethernet, serial or web based interfaces.

For further information, detailed technical specifications and information about other versions and products please visit www.barix.com