

EXSTREAMER

®



EXSTREAMER WIRELESS

Network MP3 player for digital audio streaming in consumer, home installation and commercial applications

Barix AG
Seefeldstrasse 303
CH-8008 Zürich
Switzerland

T +41 43 433 22 11
F +41 1 274 28 49

www.barix.com
info@barix.com



MP3 streaming from your PC, digital audio servers and internet radio stations

802.11a, b, g Wireless LAN using PC Card
10/100 Mbit Ethernet connection

Control via home automation software,
web browser and IR remote control

Easy installation due to IPzator™ and
SonicIP® technology

BARIX™

THINK FURTHER

EXSTREAMER

Technical Specifications

Audio Format:

MP3 up to 320 kBit fixed and variable bit rates

Audio Interfaces:

Stereo RCA, 4.2Vpp max, SNR>85dBfs
3.5 mm Headphone Jack, 2Vpp max
output level, bass and treble adjustable by
browser

Network Interface:

PC Card slot for 802.11b Wireless LAN card,
RJ45 10/100 Mbit Ethernet (Auto), TCP/IP,
UDP, ICMP, DHCP, AutoIP, SonicIP®, IPzator™,
SMB/CIFS, integrated web server for control
and configuration

Control Interfaces:

DSub 9pin male, 9600 Baud 8, N, I
Optional IR Remote kit

Misc:

Two LED (red and green) status indicators
Reset/Factory default button

Power requirements:

12VDC 1A, 230VAC (EC) or
110VAC (US) power supply included

Case:

aluminium, 500g, 7.1" x 1.97" x 4.73"
180mm x 50mm x 120mm

Certifications:

FCC, CE

User Interface:

browser based (integrated webservice),
serial port or ethernet control API for home
automation systems

The Exstreamer® Wireless is a versatile, network connected MP3 audio player for a variety of applications.

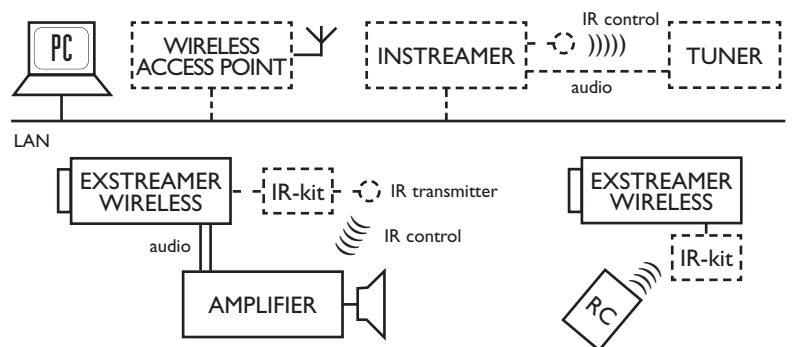
With the Exstreamer Wireless, the home user can now listen to his MP3 collection through his living room stereo or powered speakers without the need of wiring network cables.

The Exstreamer Wireless plays MP3 audio streams from sources such as digital audio servers, PCs or Internet radio stations as well as analog sources (using Instreamer) and provides analog and digital output.

An Exstreamer Wireless can be easily controlled via a web browser interface using web-connected PCs, web pads, PDAs or simply by an IR remote control (using the optional IR Remote kit). With serial and ethernet control API's the device can be managed from typical home automation systems.

The Exstreamer Wireless is perfect for multi-room distributed audio systems. Thanks to the audio synchronization capability, digital audio distribution to big halls or rooms is now easy to implement.

With an optional stick-on transmitter other IR enabled devices can be remote controlled via the network connection and Exstreamer Wireless can also work as a bidirectional transparent IR gateway.



Connection to audio equipment is made simple by offering stereo RCA output and a headphone jack.

Installing the Exstreamer Wireless is fast and simple due to its unique features - SonicIP and IPzator: after power-up the device will announce its IP address over the audio output !

The Exstreamer Wireless supports various control and communication modes. Software developers can easily write audio applications using one of the well documented Ethernet, serial or web based interfaces.

For further information, detailed technical specifications and information about other versions and products please visit www.barix.com