

# Weatherproof Indoor and Outdoor Color Camera with night vision (XB-631R)

**SecurityMan®**

## Package Contents:

- |                                    |   |
|------------------------------------|---|
| 1 x Color Camera with Night Vision | 1 x AC Adapter  |
| 1 x 100ft Extension Cable          | 1 x Metal Mounting Bracket (Mounting hardware included) |

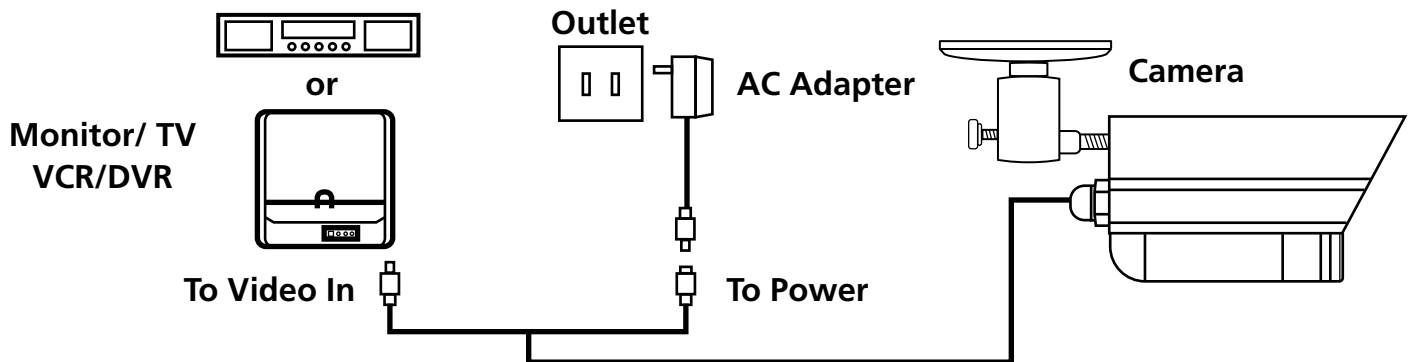
## Features:

- Sharp 1/4" CCD sensor color camera (NTSC)
- Employs Digital Signal Processor (DSP) chip-set for image control
- Pixel number: NTSC=270K PAL=320K
- High sensitivity, low smear, high anti-blooming, and high S/N ratio
- Build-in functions: Auto Electronic Shutter (AES), Auto Gain Control (AGC), Auto White Balance (AWB)
- Built-in anti-aliasing and IR-pass optical filter
- Built-in IR-LED x 12 for low light environments (Viewable up to 25ft distance)

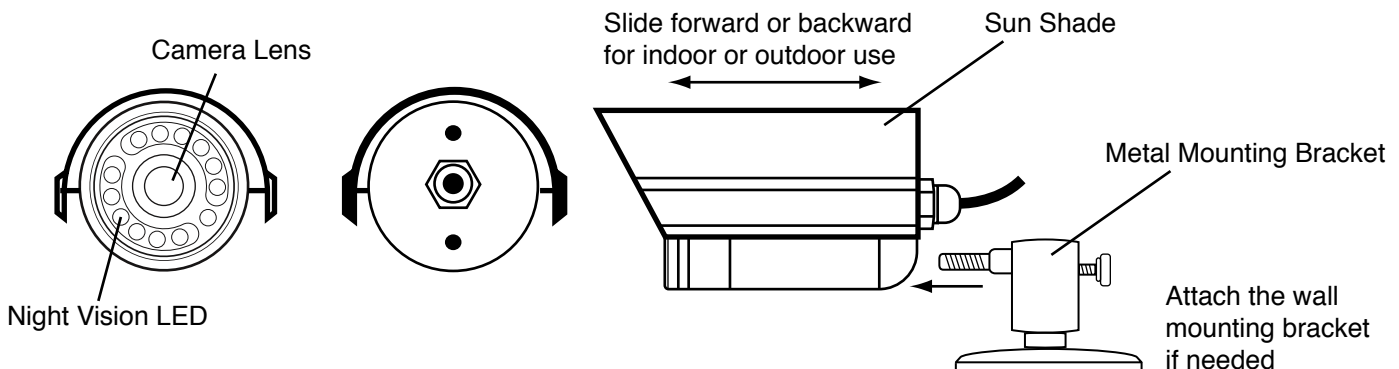
## Specifications

Image Pick-up Device	SHARP 1/4" Color CCD	Lens Furnished	Board Lens 3.6 mm / F2.0
Effective Picture Elements	NTSC: 510x492, PAL: 500x582 (HxV)	Synchronous System	Internal, Negative sync.
Horizontal Resolution	330 horizontal TV lines	Video Output	1 Vp-p Composite Video / 75 Ohms.
Minimum Illumination	0 LUX with built-in IR-LED	Power Supply	12V DC / 200mA
S/N Ratio	More than 48 dB	Operating Temp.	-10°C to 50°C (14 °F to 122 °F)
Auto Electronic Shutter	NTSC: 1/60s~1/100,000s, PAL: 1/50s~1/110,000s	Water Resistance	IP66
Gain Control	Automatically	IR LED	12 Units of 850nm IR LED
White Balance	Automatically (2500K~9500K)	IR Project Distance	10 Meters
Gamma Characteristic	0.45	Dimensions	diameter 2.1"/ length 3.7"

## How it works:



## Hardware Basics



Note: For outdoor use, Sun Shade should move forward to prevent reflection of sunlight to the camera

## Notice:

### Operating Restrictions

DO NOT use this product to violate one's privacy. Monitoring one's activities without consent is illegal and this product is not designed and manufactured for these purposes.

DO NOT use this product for any illegal activities. SecurityMan shall not be responsible for any consequences of illegal conducts by users.

## Conditions

Please read the following messages to make sure whether your working environment is suitable.

- Ensure there is enough space around the receiver for ventilation.
- The temperature should be kept between  $-20^{\circ}\text{C}$  and  $50^{\circ}\text{C}$  ( $-4\text{F} - 122^{\circ}\text{F}$ ). The relative humidity should remain from 20% to 80%.
- Avoid putting the product in places where occur might change rapidly in temperature or humidity
- Keep it dry, dustless and avoid exposure in it directly in sunlight
- Keep product away from heat sources such as electric heater
- Do not use the camera near aggressive chemicals
- Do not place product near any magnetic objects

## Maintenance

It might influence the normal operation of the product if used at the fringe range of normal temperature.

Please turn off the power when not in use

Do not disassemble the product.

Do not shake or stricken the product.

Do not use this camera near water- for example, near a bath tub, wash bowl, kitchen sink or laundry tub, in a wet basement or near a swimming pool; and the like. Please obey the local government's environment protection policy

Copyright 2005 by SecurityMan v1.0

This manual is furnished under license and may be used or copied only in accordance with the terms of such license. Except as permitted by such license, no part of this publication may be reproduced, stored in a retrieval system, or transmitted, in any form or any means, electronic, mechanical, recording, or otherwise, including translation to another language or format, without the prior written permission of SecurityMan.

The content of this manual is furnished for informational use only, is subject to change without notice, and should not be construed as a commitment by SecurityMan. SecurityMan assumes no responsibility or liability for any errors or inaccuracies that may appear in this book. All other product names, trademarks and registered trademarks in this document are the properties of their respective holders.

## FCC Information

Notes on FCC's "Consistent Statement of Information" This product meet the requirements specified in Part 15 of FCC Regulation. Operation rests with the following two conditions:

(1) The equipment should not cause any harmful interference.

(2) The equipment must receive and process any interference, including any possible interference caused by operation mistakes.

After testing the product, we confirm that the camera complies with the provision for class C digital equipment in the 15th part in FCC regulations; and the receiver complies with the limitations for class B digital equipment in Part 15 of FCC regulation. The product generates, applies and emits radio waves. It might cause harmful interferences to wireless communication if not be installed and used following the description of the manual. The product may cause interference in residential area, and the customer should take remedies to eliminate the interference on their own costs.

If the product causes any harmful interference to wireless equipment or disturbs the receiving of TV signals (it can be identified by turning on and off the product), you can solve the trouble by following methods:

- Readjust the product or put it in another place.
- Extend the distance between the equipment interfered and the product.
- Refer to dealers or experienced radio electrician for help.

## Warranty

SecurityMan warrants that this product will be free from defects in materials and workmanship for period of time specified on the product packaging. This limited warranty shall commence from the date of purchase. SecurityMan Products warranty is not transferable and is limited to the original purchaser. If the product is found to be defective then, as your sole remedy and as the manufacturer's only obligation, SecurityMan will repair or replace the product . This warranty shall not apply to products that have been subjected to abuse, misuse, abnormal electrical or environmental conditions, normal wear and tear or any condition other than what can be considered normal use.

## Limitation of Liability

The liability of SecurityMan arising from this warranty and sale shall be limited to a refund of the purchase price. In no event shall SecurityMan be liable for costs of procurement of substitute products or services, or for any lost profits, or for any consequential, incidental, direct or indirect damages, however caused and on any theory of liability, arising from this warranty and sale. These limitations shall apply not with standing any failure of essential purpose of any limited remedy.

## SecurityMan

15861 Tapia Street, Irwindale, CA 91706, USA

Tel: 888-977-3777 or 626-338-2028

Fax: 626-338-3585

Email: [info@securitymaninc.com](mailto:info@securitymaninc.com) Website: <http://www.securitymaninc.com>