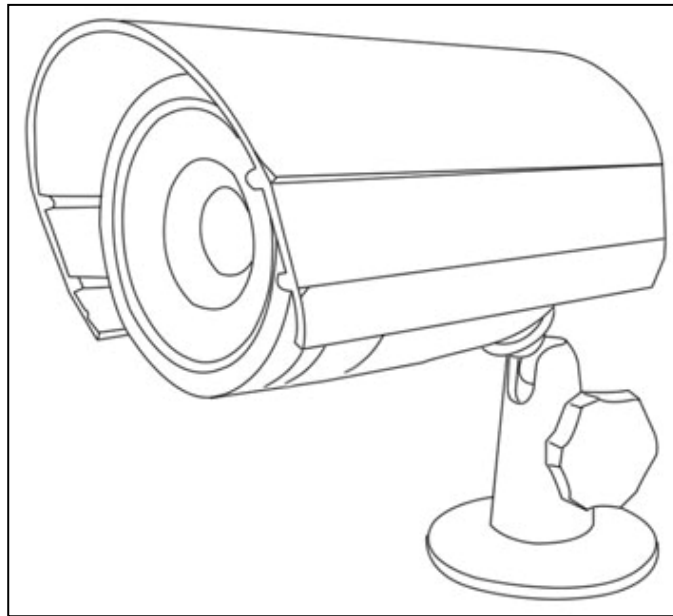






1/4" CCD COLOR WEATHERPROOF DAY / NIGHT CAMERA

OWNER'S MANUAL



Please read the manual thoroughly before operating this unit.

MODEL CVC6993

	CAUTION	
RISK OF ELECTRIC SHOCK. DO NOT OPEN.		
CAUTION: TO REDUCE THE RISK OF ELECTRIC SHOCK, DO NOT REMOVE THE CASING. THERE ARE NO USER-SERVICEABLE PARTS INSIDE. REFER SERVICING TO QUALIFIED SERVICE PERSONNEL.		

Explanation of two Symbols



The lightning flash with arrowhead symbol, within an equilateral triangle, is intended to alert the user to the presence of uninsulated "dangerous voltage" within the product's enclosure that may be of sufficient magnitude to constitute a risk of electric shock to persons.



The exclamation point within an equilateral triangle is intended to alert the user to the presence of important operating and maintenance (servicing) instructions in the literature accompanying the appliance.

WARNING: To prevent a fire or shock hazard, do not expose this unit to rain, water, or wet locations.

IMPORTANT SAFETY INSTRUCTIONS

This wired A/V equipment is provided with a polarized alternating-current line plug (a plug having one blade wider than the other). This plug will fit into the power outlet only one way. This is a safety feature. If you are unable to insert the plug fully into the outlet, try reversing the plug. If the plug still fails to fit, contact your electrician to replace your obsolete outlet. Do not defeat the safety purpose of the polarized plug.

Contents and Parts Identification:

This package contains:



1- Weatherproof color day / night camera with removable sunshade housing & mounting bracket



1 - 12V DC Power Supply



1 - 65 ft video extension cable

1 - BNC to RCA adapter

1 - RCA to RCA adapter (Delete this)



Owner's Manual

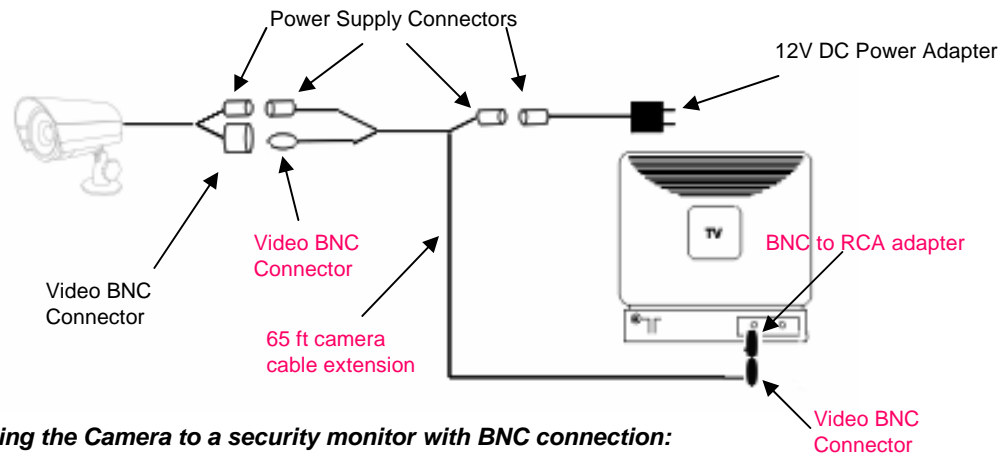
INTRODUCTION:

Congratulations on purchasing the LOREX Color Weatherproof Day/Night Camera with Removable Sunshade Housing. The camera easily connects to your TV, VCR or security monitor for the protection of your home, office or other valuables. It has been designed for usage in a wide variety of applications, including outdoor use, and night vision of up to 24 feet away. The weatherproof day/night camera comes complete with a corrosion resistant metal housing as well as a removable sunshade housing. The camera is easily mounted to a wall or ceiling using the supplied mounting bracket.

INSTALLATION:

Connecting the Camera to a TV:

1. Install the camera bracket in the desired camera location using the supplied drywall anchors and screws.
2. Install the camera on the mounting bracket. There are two threaded holes on the back of the camera for this purpose.
3. A 6 ft cable is connected to the camera with a BNC female connector and a power connector on the end of this cable.
4. The 63 ft video cable comes with a video BNC male connector and a power connector. Plug the BNC video end of this cable into the video connector on the camera adapter). Connect the cable's power lead to the power connection on the camera.
5. Connect the 12V power supply to the opposite end of the power cable.
6. Connect the BNC female to RCA adaptor (Supplied) onto the BNC male connector on the extension cable.
7. Connect the RCA output from the (supplied) connector the video input of your TV, and plug in the power adapter
8. Tune your television to an auxiliary (AUX), A/V or video mode to view the camera (Note: Consult the TV's Owner's Manual for setting the TV to an auxiliary, A/V or video mode.)
9. Adjust the camera to the desired viewing angle



Connecting the Camera to a security monitor with BNC connection:

1. Repeat steps 1-4 above
2. Connect the male BNC connector on the extension cable to the female BNC jack on the back of the monitor
3. Connect the 12V power supply to the power connection on the camera
4. Plug in power supply
5. Adjust the camera to the desired viewing angle

Taking the sunshade on and off:

- When removing the sunshade from the body of the housing, hold the body firmly with the rear of the camera pointing towards you. Pull the sunshade backward/towards you in order to prevent scratching the surface of the weatherproof housing
- When putting the sunshade back on, hold the camera in the same position, and push the sunshade forward/away from you

TROUBLESHOOTING:

If the camera does not function properly, check the following points. If you continue to have problems, please call our technical support line for assistance

Problems	Solution
No Picture	<ul style="list-style-type: none">• The DC Adapter is not plugged in• TV or VCR not tuned to the correct mode or channel
Poor Picture Quality	<ul style="list-style-type: none">• Clean the camera lens• Adjust the contrast and brightness controls of your TV

Always use discretion when installing video surveillance equipment especially when there is perceived privacy. Inquire regarding federal, state and/or local regulations applicable to the lawful installation of video recording and/or surveillance. Party consent may be required.

SPECIFICATIONS

Image Pick-up Device	¼" CCD Color Image Sensor
Number of Pixels	512(H) x 492(V)
Scanning System	Internal Sync.
Resolution	Horizontal 350 TV lines
Shutter Control	Auto 1/60 – 1/10,000
Built-in IR LED	12 Infrared LED's
Lens	3.6 mm, F2.0
Minimum Illumination	1.0 Lux (without LED) 0 Lux (with IR LED)
Night Vision Range	Up to 8 meters (24 feet) in the dark
Outputs/Connections	Video-BNC, Power DC Jack
Power Requirement	12V DC Adapter (included)
Operating Temperature	14°F to 113°F (-10°C to 45°C)
Weight	5 oz (141g)
Dimensions	3" (Diameter) x 4 ¾" (Length), (76mm x 121mm)
Housing	Silver - Aluminum

Distributed By:

STRATEGIC VISTA CORP.

300 Alden Road, Markham, Ontario Canada L3R 4C1

For more information, visit: www.strategicvista.com

As our products are subject to continuous improvement, SVII and its subsidiaries reserve the right to modify product design, specifications and prices, without notice and without incurring any obligation. E&OE