

Compact Relay

- ELK-912 (Single)**
- ELK-912-12 (12 Pack)**

SPDT 12 Volts D.C. Activation

APPLICATION:

The ELK-912 is a high quality 12 Volt DC relay. It features SPDT Form "C" heavy duty dry contacts, low current draw, and positive or negative activation.

ELK
PRODUCTS, INC.

Compact Relay SPDT 12 Volts D.C.

- ELK-912 (Single)**



- ELK-912-12 (12 Pack)**



FEATURES:

- Heavy Duty Contact Rating
- Form "C" Contacts SPDT
- Low Current Draw
- Positive Or Negative Activation
- Great For General Purpose Switching
- Small, Compact Size
- Includes Double Sided Mounting Tape
- Packed in Reusable Poly Storage Box
- Lifetime Limited Warranty, call or visit our website for details

SPECIFICATIONS:

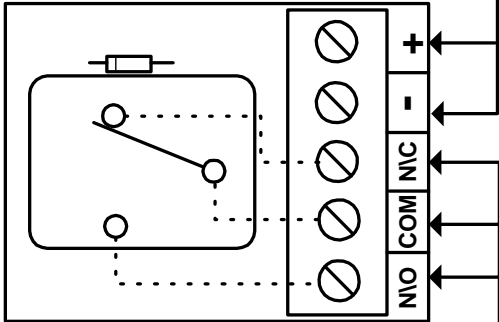
- Operating Voltage: 12 Volts DC Nominal
- Current Draw: 30 milliamps
- Minimum Pull-in Voltage: 9 Volts DC
- Diode Protection Across Relay Coil
- Contact Ratings:
 - 7 Amps @ 30 Volts DC
 - 10 Amps @ 125 Volts AC
- Size: 1.1" X1.55 " (28mm X 39mm) Ea.

Features or Specifications subject to change without notice.

ELK
PRODUCTS, INC.

ELK-912 APPLICATIONS AND WIRING DIAGRAMS

ELK-912



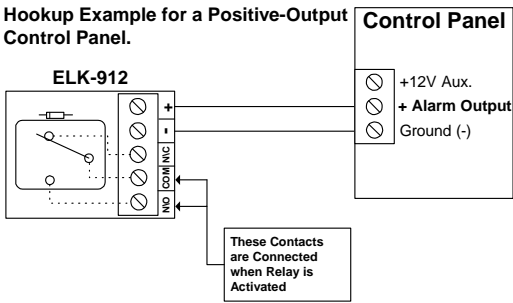
Power Terminals:

Powers Relay Coil (12V, 30mA)
Connect to Trigger Output

Relay Contacts:

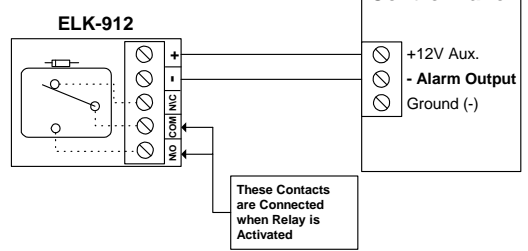
COM and N/C are connected when ELK-912 is off (no trigger).
COM and N/O are connected when ELK-912 is on.

Hookup Example for a Positive-Output Control Panel.



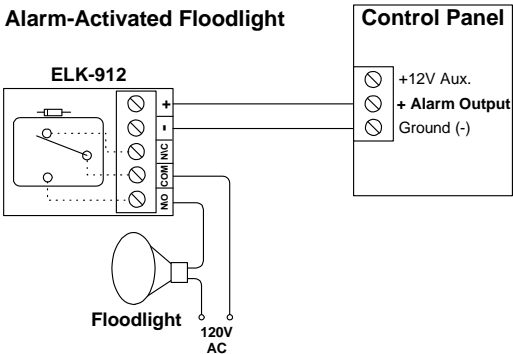
Example 1: If control has a positive output, connect the "-" terminal of the ELK-912 to the control's ground terminal. Connect the "+" terminal of the ELK-912 to the positive alarm output.

Hookup Example for a Negative-Output Control Panel.



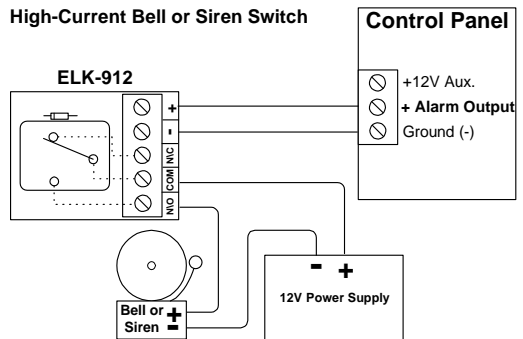
Example 2: If control has a negative output, connect the "+" terminal of the ELK-912 to the control's +12V terminal. Connect the "-" terminal of the ELK-912 to the negative alarm output.

Alarm-Activated Floodlight



Example 3: Floodlight activates whenever control panel is in alarm

High-Current Bell or Siren Switch



Example 4: ELK-912 used to switch a high-current siren or bell from separate power supply.