

# Sensitive Relays

**ELK-924-4** (4 pack)

DPDT 12 or 24 Vdc Relays w/1.2 mA Trigger

## FEATURES:

- Super Low 1.2 mA Trigger Current
- Positive (+) Or Negative (-) Trigger Input
- Switch Selectable Input Voltage
- Double Form "C" Contacts DPDT
- Heavy Duty Contact Rating
- On Board LED Status Indicator
- Includes Double Sided Mounting Tape
- Mounts In Standard 2.75" Snap Track
- Five Year Warranty
- Packed In Reusable Poly Storage Box

## SPECIFICATIONS:

- Operating Voltage: 12 or 24 Vdc  
"Switch Selectable"
- Trigger Current: 1.2 mA min.
- Trigger Voltage: 4 to 24 Vdc
- Nominal Current Draw: 60 mA
- Double Form "C" Contacts Rated for:  
7 Amps @ 30 Vdc  
10 Amps @ 125 Vac
- Diode Protection Across Relay Coils
- Size: 1.5" X 2.75"



ELK PRODUCTS, INC.<sup>®</sup> PO Box 100 Hildebran, NC 28637  
MADE IN USA

## Sensitive Relay

**ELK-924-4** (4 pack)

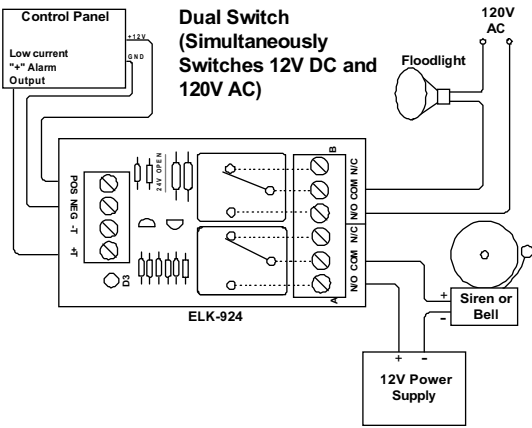
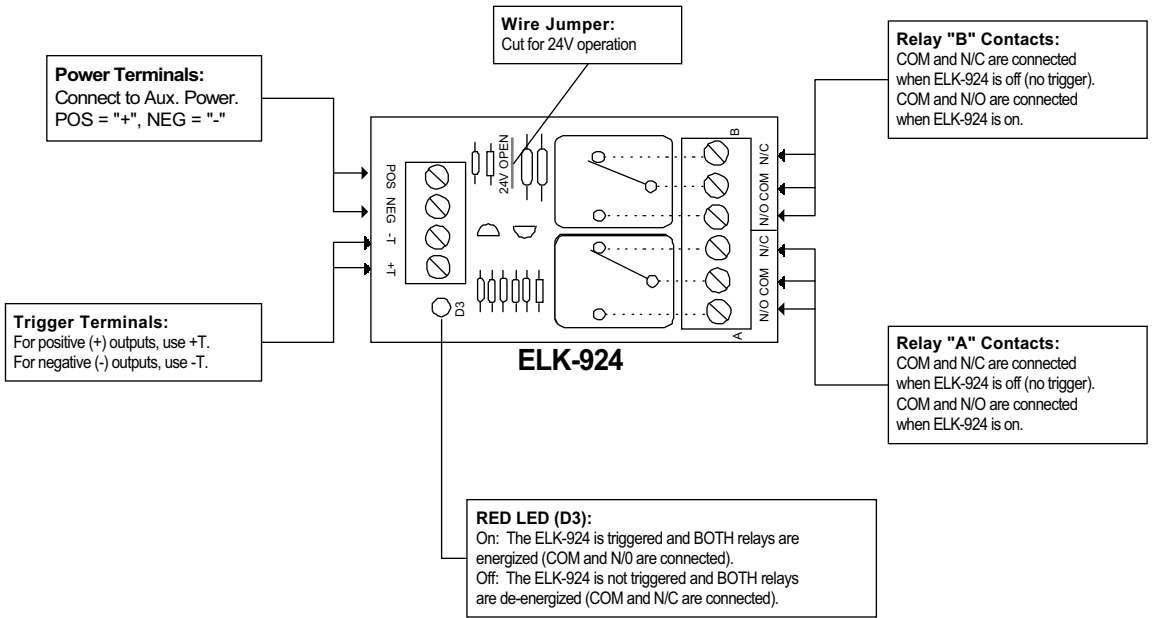


DPDT 12 or 24 Vdc Relays w/1.2 mA Trigger

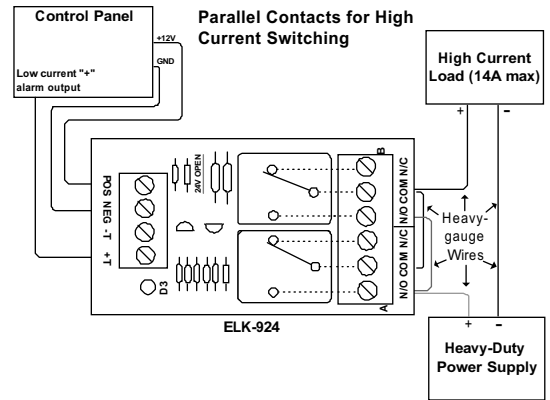
## APPLICATION:

The ELK-924-4 is a 4 pack of sensitive relays which offer positive (+) or negative (-) trigger activation on as low as 1.2 mA of current. They are ideal for access control, home automation, and many other general purpose switching applications. Each relay board features switch selectable 12 or 24 Vdc operation, DPDT form "C" heavy duty contacts, and a LED status indicator. Also available as a single unit (ELK-924), both are conveniently packed in a reusable poly storage box.

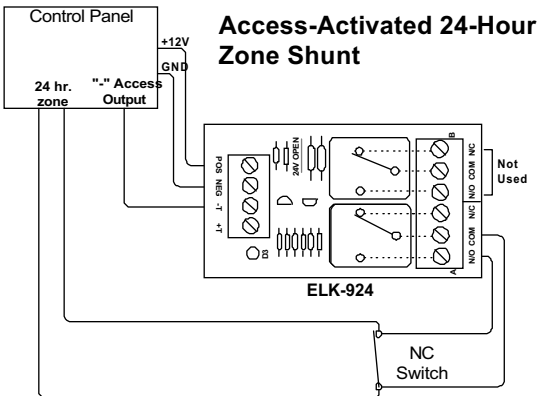
# APPLICATIONS AND WIRING DIAGRAMS



**Example 1:** The relays are used to switch two different voltages. The ELK-924 is powered by the control panel and triggered by a low-current, positive alarm output.

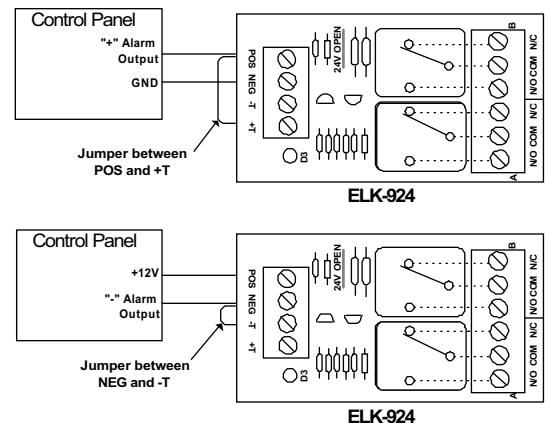


**Example 3:** Wire jumpers are used to tie Relays "A" and "B" in parallel for high current switching. Currents as high as 14A can be switched with this hookup. **Note: Use heavy-gauge wire for all high current runs.**



**Example 2:** Relay "A" is used to bypass a 24 hour zone when an access code is entered on the control's keypad. The "-" Access Output is connected to -T on the ELK-924.

## Hookup Examples for Disabling Sensitive Trigger



**Example 4:** If sensitive trigger is not desired, place a wire jumper between POS and +T (for positive output controls) or between NEG and -T (for negative output controls).