
Hannah America, Inc.

**Sensor Controlled Animal Trainer
(S. C. A. T.)**

*Designers and Manufacturers of
Innovative Products*

**INSTRUCTION MANUAL
MADE IN U.S.A.**

Please read, understand and keep this manual for future reference.

OPERATING INSTRUCTIONS

- 1.) Remove the Sensor Controlled Animal Trainer (S.C.A.T.) from the box.
- 2.) Remove the battery cover from the side of the unit by loosening the screws. Install one NEW 9 volt alkaline battery into the battery clips. Replace the battery cover.
- 3.) Attached supplied quick disconnect into the garden hose.
- 4.) Position the S.C.A.T. to sense the area you want to control. **DO NOT POSITION S.C.A.T. TO SENSE OR SPRAY ON PUBLIC SIDEWALKS AND STREETS.**
- 5.) Push down on the spike from the bottom where the hose connects. Do not push from the top. Don't pound on any part of the S.C.A.T. to drive the spike into the ground. If the soil is hard, moisten it with water so the spike can be easily inserted.
- 8.) Attach the quick disconnect to the S.C.A.T.
- 7.) Push down again so the spike is as deep as possible.
- 8.) Push the black switch on the side to turn S.C.A.T. on.
- 9.) Adjust the spray head to cover the area you would like. For best results it is recommended to spray at least 180 degrees.

Trouble Shooting:

Cycles and won't stop spraying:

- 1.) Open up the spray pattern by adjusting the sprinkler head.
- 2.) If the S.C.A.T. is tilted up or back it may sense the water spraying.
- 3.) Turn the water faucet down to reduce the amount of water coming from the sprinkler.
- 4.) Adjust spray distance of the sprinkler head to the maximum setting.
- 5.) Reposition S.C.A.T. so not to face directly into the sun or a strong wind.
- 6.) If condition is persistent, cover the top 1/3 of the lens with electrical tape.

Detection distance reduced:

- 1.) To prevent false alarm, the S.C.A.T. has a logic chip incorporated in its electronic circuitry and it adapts to its surrounding environment when conditions are windy and/or humid to prevent the scat machine from activating when no animal is present. The detection area would vary depending upon weather mndiis.

SPECIFICATIONS

Affective on: Dogs, Cats, Deer, Raccoons, & Squirrels, etc.

Detection area: 0 - 35 feet @ 105 degrees. (weather conditions may produce fluctuations in range).

Spray Area: Adjustable from 20 feet to 40 feet @ 10 degrees to 360 degree spray pattern.

Water Pressure: Recommended not to exceed 75 psi. We have pressure reducers available for customers with high water pressure..

Dimensions: 24" high (w/spike and sprinkler) X 4" wide X 7" deep.

Batteries: One 9 Volt Alkaline Battery. _____

Warranty: Conditional six month parts and service

MAINTENANCE INFORMATION

S.C.A.T. is a low-maintenance product

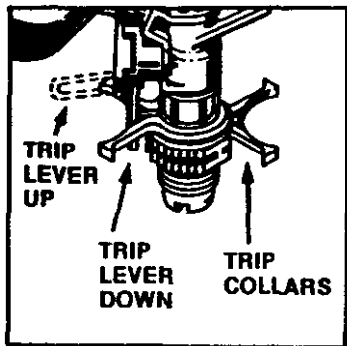
We recommend occasional cleaning of the lens with a damp cloth when needed for maximum efficiency.

Although S.C.A.T. is inoperable during light freezing (down to 30°). the internal components will not be harmed if left outside and attached to your garden hose. However, when temperature decreases below 30° store indoors.

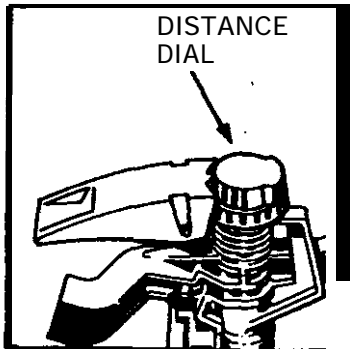
It is not recommended that S.C.A.T. or any other hose-end apparatus be left in operation while user is absent for extended periods of time due to the possibility of garden hose failure, consequent flooding and high water consumption.

While in storage longer than a week disconnect battery from unit and store separately.

NOTES



Full or Part Circle
Flip trip lever up for full circle coverage. Flip trip lever down for part circle coverage. Slowly push trip collars apart. The space between the collars determines how much of the circle area will be watered.



Spray Adjustment
Distance dial adjusts stream length from 20 to 41 feet radius.