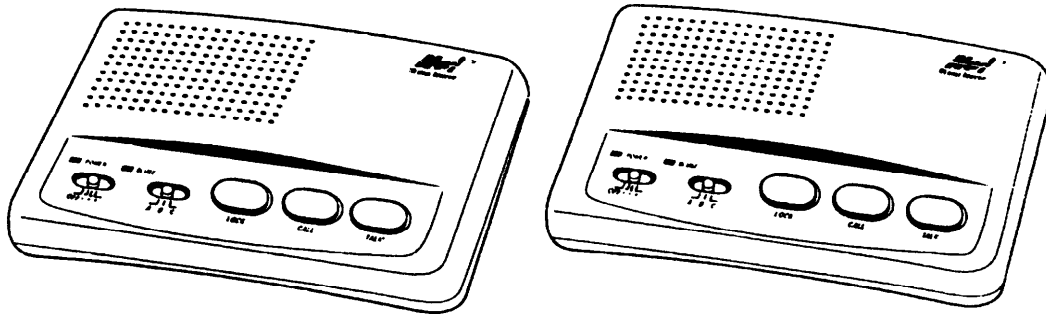




**3 CHANNEL  
WIRELESS  
INTERCOM**



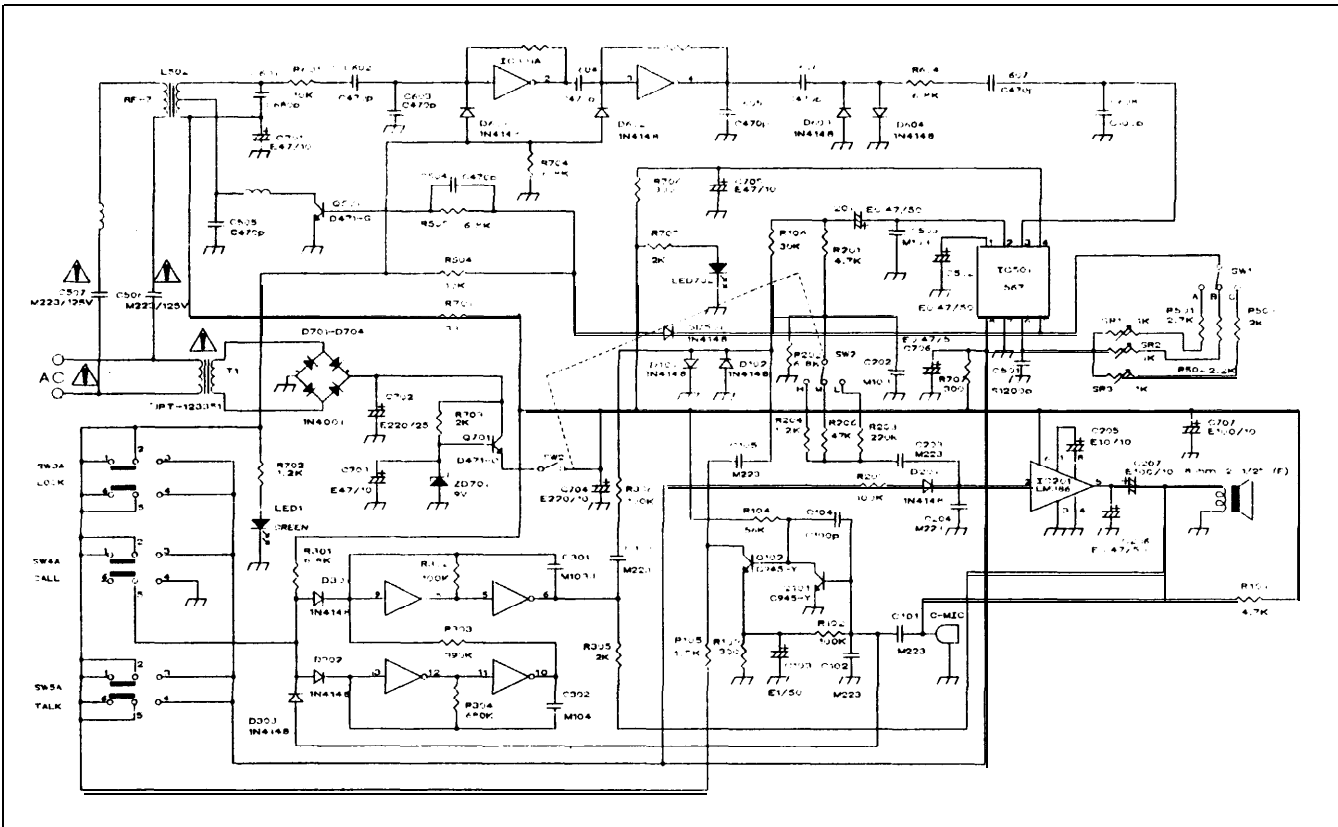
For Models:  
WI-3PN  
WI-3SN




**OWNER'S MANUAL**

# Schematic

# WI-3PN WI-3SN



- NOTE: (1) ALL RESISTANCE VALUES ARE INDICATED IN "OHM" (K:10<sup>3</sup>OHM)  
(2) ALL CAPACITANCE VALUES ARE INDICATED IN "μF" (P:10<sup>-6</sup>μF)
- CAUTION : SINCE THE COMPONENTS MARKED BY  ARE CRITICAL FOR SAFETY, USE ONES DESCRIBED ON PARTS LIST ONLY

**NOVI INTERNATIONAL**  
 Address : 10222 San Diego  
 Mission Road San Diego,  
 California 92108  
 Fax # : 619-282-6010  
 Phone # : 619-282-6684



MADE IN CHINA

The Clear Choice in Intercoms