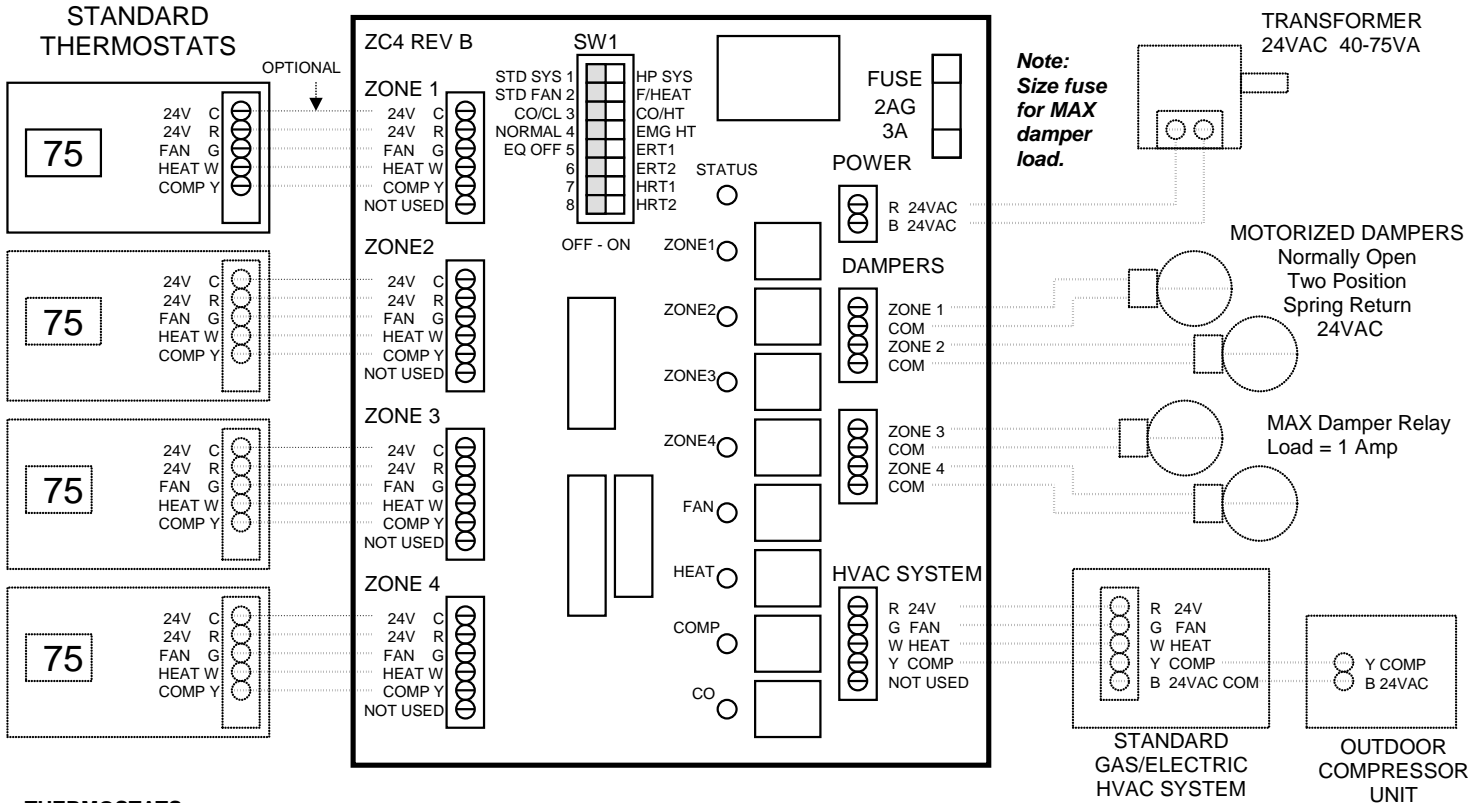


WIRING DIAGRAM

- For Standard HVAC Systems
- One Stage Heat, One Stage Cool
- Uses Standard Thermostats
- Automatic Heat/Cool Changeover
- Thermal Equalizer Feature



• THERMOSTATS

Use STANDARD electronic thermostats that are either battery powered or powered from both sides of the 24VAC transformer. **DO NOT USE THERMOSTATS THAT STEAL POWER FROM THE HEAT (W) TERMINAL IN THE FURNACE.** Also mechanical thermostats with heat anticipators will not work properly.

• SW1 DIP SWITCH SETTINGS

SW1-1 STD OR HP SYSTEM SELECT	SW1-2 FAN MODE SELECT	SW1-3 CHANGEOVER MODE SELECT	SW1-4 EMERGENCY HEAT MODE
1 <input type="checkbox"/> OFF - Standard HVAC System	2 <input type="checkbox"/> Set to OFF for Standard Fan	3 <input type="checkbox"/> Not used on STD systems	4 <input type="checkbox"/> Not used on STD systems
1 <input type="checkbox"/> ON- Heat Pump HVAC System	2 <input type="checkbox"/> Set to On for FAN w/HEAT	3 <input type="checkbox"/>	4 <input type="checkbox"/>
SW1-5,6 EQUALIZER MODE SELECTION		SW1-7,8 HEAT RUN TIME SELECTION	
5 <input type="checkbox"/> Equalizer OFF (Heat Run Time is off also)	6 <input type="checkbox"/>	7 <input type="checkbox"/> Heat Run Time = 8 Min	<p>Note: There is a 2 Min Minimum Heat Run Time (MHRT). If the Heat Call is terminated during this period, no Equalizer cycle will be started at the end of the call. If the Heat Call last longer than the MHRT, but less than 8 Min, then an Equalizer cycle will be started at the end of the call. Heat Run Time is disabled if Equalizer is off (SW1-5/6).</p>
5 <input type="checkbox"/> Equalizer Run Time = 6 Min	6 <input type="checkbox"/>	7 <input type="checkbox"/> Heat Run Time = 12 Min	
5 <input type="checkbox"/> Equalizer Run Time = 8 Min	6 <input type="checkbox"/>	7 <input type="checkbox"/> Heat Run Time = 16 Min	
5 <input type="checkbox"/> Equalizer Run Time = 10 Min	6 <input type="checkbox"/>	7 <input type="checkbox"/> Heat Run Time = 20 Min	