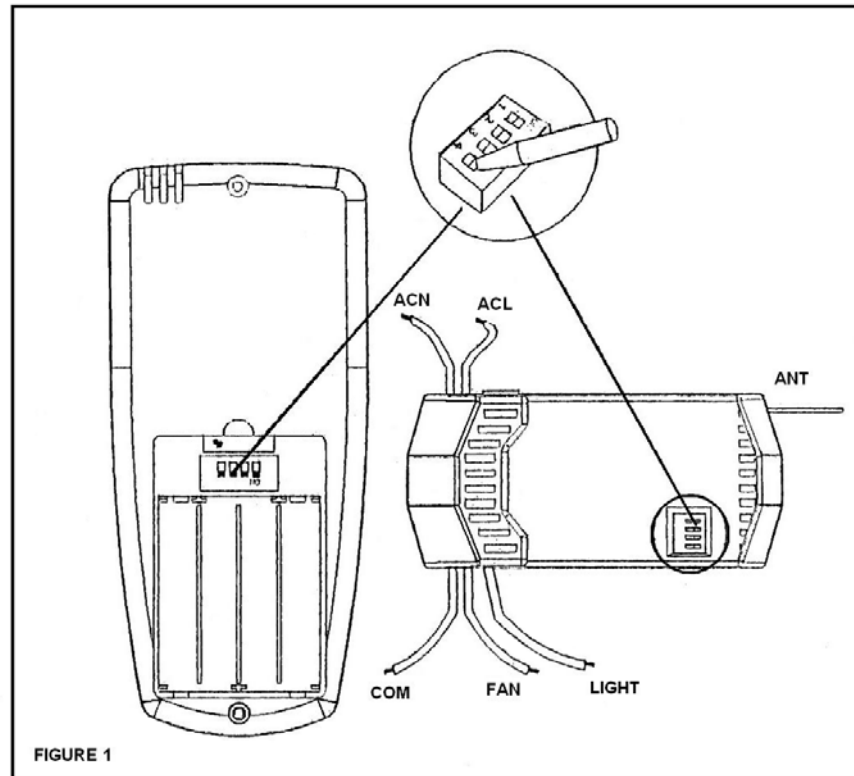


THERMOSTATIC CEILING FAN AND LIGHT REMOTE CONTROL SYSTEM

WARNING! SHUT POWER OFF AT FUSE OR CIRCUIT BREAKER PRIOR TO INSTALLATION

NOTE: The frequencies on your receiver and transmitter have been preset at the factory. Before installing the receiver, make sure the dip switches on the receiver and the transmitter are set to the same frequency (see Figure 1). The dip switches on the transmitter are located inside the battery compartment.



- SAFETY PRECAUTIONS
 - HIGH VOLTAGE! Disconnect the source of electrical power by removing the fuse or switching off the circuit breaker
 - DO NOT use with solid state fans
 - Electrical wiring must meet all local and national code requirements
 - Electrical source and fan must be 115/120V, 60Hz; fan motor 1.0A maximum; light 300W maximum
 - Household electrical power can cause serious injury or death
- NOTE: BEFORE YOU BEGIN THE INSTALLATION OF YOUR NEW REMOTE CONTROL, MAKE SURE THE FAN IS SET TO THE HIGHEST SPEED
 - This ceiling fan is compatible with most ceiling fans except those that have a built-in remote system
 - This remote system is not designed for fan forward/reverse operation
 - For reverse operation, stop the fan and manually change the position of the reverse switch located on the fan body
- INSTALLING THE RECEIVER (see Figure 2)
 - Remove ceiling fan canopy from mounting bracket
 - Disconnect existing wiring between ceiling fan and supply wires from junction box
- CONNECTING THE RECEIVER
 - Using the wire nuts provided, make the electrical connections as follows
 - Connect GREEN wire from the fan to the BARE COPPER (GROUND) wire from the junction box
 - Connect the RED wire (AC IN L) from the Receiver unit to the BLACK wire from the junction box
 - Connect the WHITE wire (AC IN N) from the Receiver to the WHITE wire from the junction box
 - Connect the WHITE wire (TO MOTOR N) from Receiver unit to the WHITE wire from the fan
 - Connect the BLACK or RED wire (TO MOTOR L) from the Receiver unit to the BLACK or RED wire from the fan
 - Connect the BLUE wire (FOR LIGHT) from the Receiver unit to the BLUE wire from the fan. If other fan or supply wires a different color, consult or have a qualified electrician do the installation
 - After wires are connected, carefully lock them into the junction box
 - Lay the BROWN antenna wire on top of the receiver unit and insert it into the mounting bracket
 - Re-install the canopy on the mounting bracket

- OPERATING THE TRANSMITTER
 - Insert four "AAA" batteries (sold separately) into the battery compartment
 - FAN AUTO button
 - Use this button to select between FAN AUTO or MANUAL operation of your fan
 - Fan speed MANUAL mode
 - Use the blue button to adjust the speeds by pressing and releasing the button each to change the speeds from OFF → HIGH → MEDIUM → LOW
 - Fan speed FAN AUTO mode
 - This mode adjusts the speed(s) of the fan automatically based on the temperature setting that you select. Follow the following steps to set the temperature on your transmitter
 - Press the button to display 'FAN AUTO' on the LCD display
 - Use the 'TEMP/SET/HOUR' buttons ▲▼ to set the desired temperature from 59° to 99° F.
 - The fan will start automatically on LOW speed when the room temperature is equal to an up to 4° F over the set temperature
 - The speeds will change from OFF, LOW, MEDIUM, and HIGH as temperatures increase or decrease in 4° increments – Example:
 - Set temperature at 72° F → Room temperature is 71° → Fan is OFF
 - Set temperature at 72° F → Room temperature is 72° → Fan is LOW
 - Set temperature at 72° F → Room temperature is 78° → Fan is MEDIUM
 - Set temperature at 72° F → Room temperature is 80° → Fan is HIGH
 - Note: to select between Fahrenheit (F) or Celsius (C) temperature, press the TEMP/SET/HOUR buttons ▲▼ at the same time until the F or C symbol appears next to the Temperature number
 - Operating the Light (ORANGE button)
 - This button turns the ceiling fan light On or Off and also control the brightness settings
 - Press and release the button and the light will turn On or Off
 - Press and hold the button to set the desired brightness
 - The brightness is displayed on the LCD screen in a percentage number ranging from 100% to 20%. The light will cycle continuously between bright and dim settings as the button is held down
 - The brightness feature also has 'auto resume' which will have the light return to the same brightness as the last time it was turned off
 - LIGHT TIMER and FAN TIMER buttons
 - Use this button to set the sleep timer from 0.5 to 24 hours, in one hour increments
 - Press the LIGHT or FAN TIMER button once, the timer symbols will be displayed on the LCD screen
 - You have six seconds to set the sleep time, if you do not perform an entry during this time, the LIGHT TIMER display will be turned off automatically. To reset it, simply press the button again
 - Use the TEMP/SET/HOUR buttons ▲▼ to set the desired sleep time; starting from 0.5, 1, 2, 3...24. The light or fan will both be turned off automatically when the preset time expires. If the fan is in FAN AUTO mode, it will return to manual mode when the sleep timer expires
 - LIGHT DELAY
 - Pressing this button activated the light delay function. The light will automatically shut-off after three minutes
 - Use provided hardware to attach transmitter mounting bracket as desired

