

Quick-Start Guide

I/O Linc™ - INSTEON® RF Proximity Reader Kit

Model: #24950A9

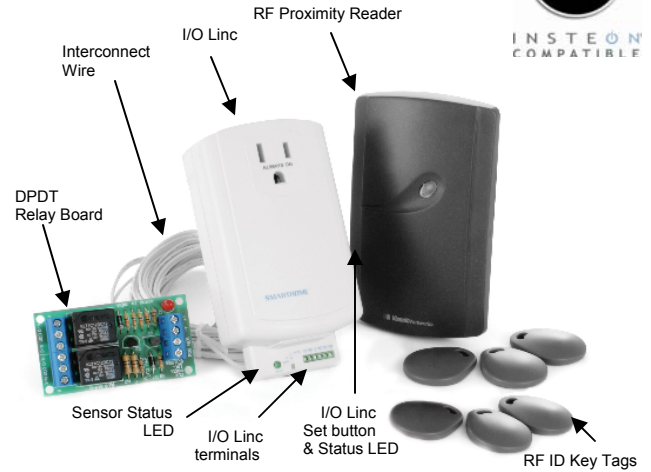


Introduction

Combining the features of I/O Linc and an RF proximity reader, this kit will allow users to wave a wireless RF ID key tag in front of the proximity reader and send INSTEON commands. The INSTEON signal can be used to unlock doors for access control (door lock sold separately) and/or initiate lighting scenes using INSTEON devices such as [dimmers and switches](#), [wire-in/outlet modules](#) and/or [plug-in modules](#). The weatherproof RF proximity reader can be mounted near a door or entry area and includes six RF ID key tags with one trillion possible code combinations for added security.

I/O Linc Screw Terminals

5V	GND	Sense	N/C	N/O	Common
5 Volts	Ground	Sensor Input	Normally Closed	Normally Open	Switches between N/O and N/C



Installation

Plan ahead - locate an outlet (for I/O Linc and the 12VDC Power Supply) near the area where you will mount the DPDT Relay Board and the Proximity Reader

Connect I/O Linc to the DPDT Relay Board

- 1) Remove the pre-stripped plastic shielding from both ends of the Interconnect Wire
- 2) Using the provided 1.5mm flathead screwdriver, fasten one Interconnect Wire lead into the I/O Linc "GND" terminal
- 3) Fasten the other Interconnect Wire lead (located on the same side as the wire connected in step 1b) into the I/O Linc "Sense" terminal
- 4) Fasten lead from the opposite end of the Interconnect Wire connected to the "GND" terminal on I/O Linc to the "COM" terminal on the DPDT Relay Board
- 5) Fasten lead from the opposite end of the Interconnect Wire connected to the "Sense" terminal on I/O Linc to the "N/O" terminal on the DPDT Relay Board

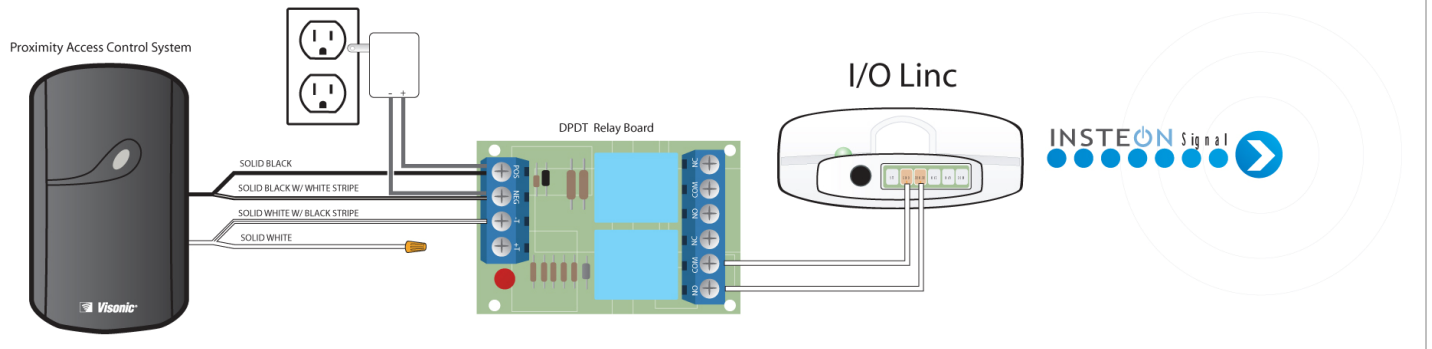
Connect the Proximity Reader to the DPDT Relay Board

- 6) Attach the SOLID WHITE W/ BLACK STRIPE wire coming from the RF reader to the "-T" terminal on the DPDT Relay Board
- 7) Attach the SOLID BLACK wire coming from the RF reader to the "POS" terminal on the DPDT Relay Board
- 8) Attach the SOLID BLACK W/ WHITE STRIPE wire coming from the RF reader to the "NEG" terminal on the DPDT Relay Board
- 9) The SOLID WHITE wire will not be used, so cap that wire off with a wire nut

Connect the Power Supply to the DPDT Relay Board (this will provide power for the Relay Board and the Proximity Reader)

- 10) Cut the barrel connector off the end of the Power Supply and strip back the wiring on the positive and negative wires from 1/8" to 1/4"
- 11) Attach the POSITIVE wire coming from the Power Supply to the "POS" terminal on the DPDT Relay Board
- 12) Attach the NEGATIVE wire coming from the Power Supply to the "NEG" terminal on the DPDT Relay Board
- 13) Plug in I/O Linc and then plug in the Power Supply
The I/O Linc Status LED will turn on solid
- 14) Follow the included Proximity Reader [Owner's Manual](#) to program the included RF ID Key Tags

Wiring Diagram for I/O Linc - INSTEON RF Proximity Reader Kit



Use the RF Proximity Reader Kit to Control an INSTEON Device

- 1) Press & hold the Set button on I/O Linc until it beeps (3 seconds)
The I/O Linc Status LED will begin blinking
- 2) Press & hold the Set button on the INSTEON Responder (the device you wish to control with I/O Linc) for 3 seconds
I/O Linc will beep and its Status LED will turn on solid
- 3) Test by waving a programmed RF ID Key Tag in front of the Proximity Reader
The Responder will respond appropriately

Complete Instructions, Troubleshooting, and Tech Support

Owner's Manual: http://wiki.smarthome.com/index.php?title=2450_Manual

Call: Tech. Support @ 1-800-SMARTHOME (800-762-7846)

Contact Us Online: <http://www.smarthome.com/contactus.html>

SmartLabs Limited Warranty – SmartLabs warrants to original consumer of this product for a period of 2 years from date of purchase, this product will be free from defects in material & workmanship & will perform in substantial conformity with its Owner's Manual. Warranty shall not apply to defects caused by misuse or neglect.
U.S. Patent No. 7,345,998. International patents pending © Copyright 2010
SmartLabs, 16542 Millikan Ave., Irvine, CA 92606, 1-800-SMARTHOME (800-762-7846)