

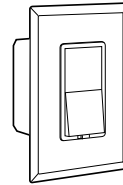
DESCRIPTION

CAT. NO.

Incandescent Dimming Module with Intellisense™ Automatic Gain Control (AGC) — single-pole switch controls incandescent lighting with manual and remote switching and full-range dimming capability. Preset-switching feature turns lights ON at last selected lighting level instead of full brightness. Soft ON/Fade OFF offers gentle rise to selected brightness and fade in lighting features Leviton's new Intellisense AGC for outstanding performance and reliability plus enhanced preset switching and soft ON/Fade OFF. Wires easily into any standard wall box with attached six-inch black and blue leads. White device packed with snap-on kit for Ivory. Switch Modules have built-in RFI filter.*

Note: When two units are ganged together, each unit should not be loaded beyond 400 watts — not beyond 300 watts per unit when 3 or more are ganged together.

Rated: 500 watts max. 60 watts min. 120V 60Hz AC only.



6381-WI

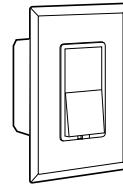


6381-WI

3-Way Incandescent Dimming Master Modules with Intellisense™ Automatic Gain Control (AGC) — provides manual and remote switching and full-range dimming capability in multi-station switching circuits when used in conjunction with Slave Modules (Cat. No. 6294). Can be set to any of 256 address codes. White device packed with snap-on kit for Ivory. Wires easily into any standard wall box with attached six-inch black, red, and blue leads. Built-in RFI filter.*

Note: When the MASTER switch is ganged with another MASTER unit or any Cat. No. 6383 Modules, the switch pair should not be loaded beyond 400 watts, nor beyond 300 watts when three or more are ganged together.

Rated: 500 watts max. 60 watts min. 120V 60Hz AC only.



6383-WI

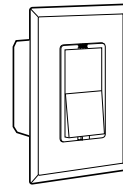


6383-WI

Low Voltage Dimming Module — single pole switch controls incandescent and low-voltage lighting and residential ceiling fans with manual and remote switching and full range dimming capability. Suitable for use with magnetic transformers and motors. White device packed with snap-on kit for Ivory. Wires easily into any standard wall box with attached six-inch black, blue and white leads. Switch modules have built-in RFI filter.

Note: When two units are ganged together, each unit should not be loaded beyond 400 watts, nor beyond 300 watts per unit when 3 or more are ganged together.

Rated: 500 watts 120V Incandescent, 500VA Inductive 60Hz AC only



6381-UWI

SPECIFICATIONS & FEATURES

- Fit in standard wallboxes and replace regular switches to provide manual and remote ON/OFF switching of lights and appliances
- Leviton's exclusive Intellisense® Automatic Gain Control virtually eliminates switching problems due to line noise
- Use existing 60Hz 120V AC house wiring to add 3 and 4-way and higher level switching without resorting to complicated and costly conventional wiring means
- Backed by a Limited Two-Year Warranty

TESTING & CODE COMPLIANCE

- UL Listed (File #E-66800)
- CSA Certified (File #LR-54628)
- NOM Certified (#057)
- UL 224A Tested (and others as appropriate)

COLOR

Colors available as indicated, add suffix to cat. nos. as follows: White and Ivory (-WI), (-UWI).

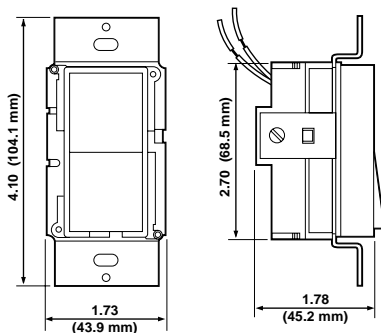
MATERIAL CHARACTERISTICS

Environmental: Flammability (Engineering Thermoplastic) UL-94, V2 Rating

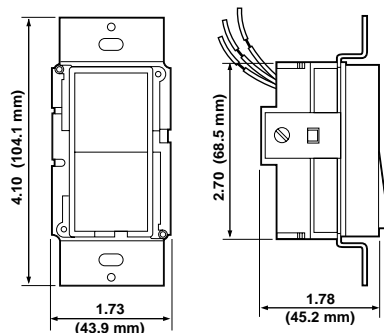
Operating Temperature: -40°C to 120°C

*To avoid overheating, and possible damage to these units and other equipment, do not use Incandescent Dimming Modules to control a receptacle, fluorescent lighting, motor-operated appliances or transformer-supplied load.

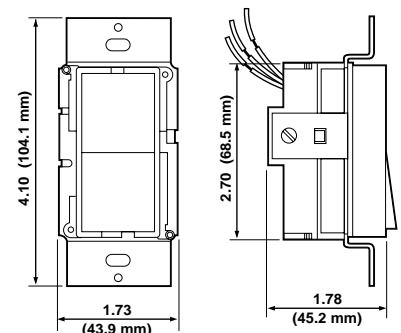
All devices are UL Listed and CSA Certified.



INCANDESCENT DIMMING MODULE
Cat. No. 6381-WI



3-WAY INCANDESCENT DIMMING MASTER MODULE
Cat. No. 6383-WI



LOW VOLTAGE DIMMING MODULES
Cat. No. 6381-UWI

DHC Powerline Carrier Receivers

DESCRIPTION

CAT. NO.



6383-UWI

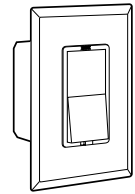


6371-I

3-Way Low Voltage Dimming Master Module — incandescent and low voltage lighting with manual and remote switching and full range dimming capability in multi-station switching circuits when used in conjunction with Slave Modules (Cat. No. 6294). Can be set to any of 256 address codes. Suitable for use with magnetic transformers. Wires easily into any standard wall box with attached six-inch black, blue, red and white leads. White device packed with snap-on kit for Ivory. Switch Modules have built-in RFI filter.

Note: To avoid overheating, and possible damage to these units and other equipment, do not use the Cat No. 6383-U 3-way Low Voltage Dimming Module to control a receptacle, fluorescent lighting, motor-operated appliances or transformer-supplied load. When the MASTER switch is ganged with another MASTER unit or any Cat. No. 6381-U Wall Switch Modules, the switch pair should not be loaded beyond 400 watts, or 400VA, nor beyond 300 watts or 300VA when three or more are ganged together.

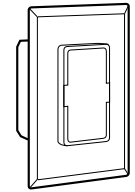
Rated: 500W 120V Incandescent, 500 VA Inductive 60Hz AC only.



6383-UWI

Double Pole Switch Module with Intellisense™ Automatic Gain Control (AGC)★— provides manual and remote on/off control. Responds to ON/OFF and ALL LIGHTS ON/ALL OFF commands from controllers. Intended for use with pool pumps, control of air conditioning units, spa heater and pumps, and other large residential loads. Wire easily into any standard wall box by means of six-inch leads.

Rated: 20A 250V 60Hz AC only, 2HP



6371-I
INTELLISENSE™

All devices are UL Listed. Also CSA Certified except where indicated by★

SPECIFICATIONS & FEATURES

- Use existing 60Hz 120V AC house wiring to add 3 and 4-way and higher level switching without resorting to complicated and costly conventional wiring means
- Fit in standard wallboxes to replace regular switches
- Leviton's exclusive Intellisense® Automatic Gain Control virtually eliminates switching problems due to line noise
- Heavy duty appliance modules available for automated control of heavy duty loads such as air conditioning and pool pumps
- Decora styled to coordinate with Leviton's Decora line of wiring devices
- Backed by a Limited Two-Year Warranty

TESTING & CODE COMPLIANCE

- UL Listed (File #E-66800)
- CSA Certified (File # LR-54628)
- NOM Certified (#057)
- UL 224A Tested (and others as appropriate)

COLOR

Colors available as listed, add suffix to catalog number as follows: White and Ivory (-UWI), Ivory (-I).

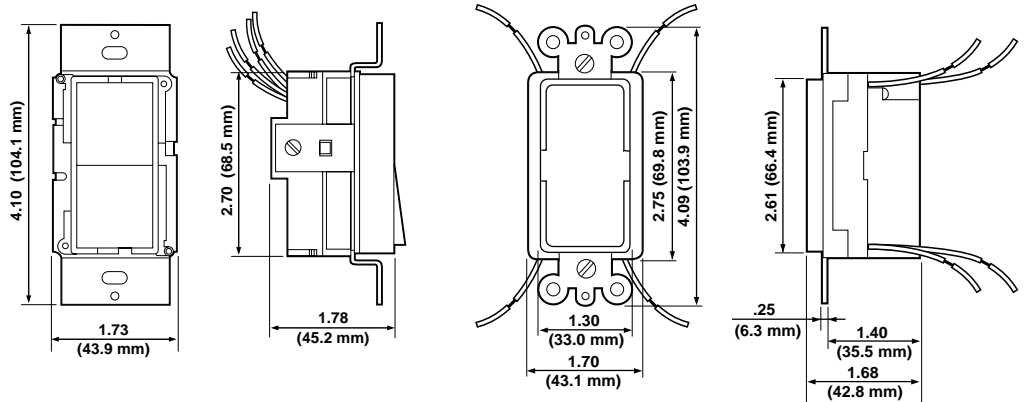
HORSE POWER

Cat. No 6371-I: 20A, 2 HP @ 250V

MATERIAL CHARACTERISTICS

Environmental: Flammability (Engineering Thermoplastic) UL-94, V2 Rating

Operating Temperature: -40°C to 120°C



3-WAY LOW VOLTAGE DIMMING
MASTER MODULE
Cat. No. 6383-UWI

DOUBLE POLE SWITCH MODULE
Cat. No. 6371-I